



Best Medical International, Inc. CATALOG



Best[®]

healthcare for everyone

Best Medical International, Inc. 7643 Fullerton Road, Springfield, VA 22153 USA
phone 703 451 2378 800 336 4970 fax 703 451 5228 www.bestmedical.com



Mission Statement

Everyone deserves the best health care. Our goal is to work with medical professionals to provide the Best products and services. As a leader in innovative technology, our mission is to uphold our reputation for excellence in the health care field by developing, manufacturing, and delivering cost-effective, high quality products to benefit patients around the world.

Corporate Values

Fulfilling our mission requires a dedicated employee team—one that is committed to uncompromised quality and safety, and fostering a sense of pride in the company.

Best employees will:

- Honor the dignity and uniqueness of each person, including fellow employees, customers, distributors, and vendors, through their actions, words, and behavior. They will treat others with respect, as they would wish to be treated.
- Embrace the spirit of cooperation and teamwork for which Best Medical is known, an environment which supports and recognizes effort and results.
- Promote and practice open and honest communication at all times.
- Listen to others and remain open to suggestions at all times, as we focus on achieving excellence in our work.
- Attract and retain leaders with exceptional abilities and integrity.
- Ensure all resources are managed in a responsible and effective manner.

Best ADVANTAGE

- We are the largest supplier of Iridium 192 and Gold 198 seeds in the world.
- We are the first and only provider of Iridium 192 in nylon ribbons in a wide range of activities from 0.10 to 10 mg Raeq per seed or 0.3 to 30 mg Raeq per centimeter.
- We are the first and only company to provide custom service for Gold 198 permanent implants as well as a wide range of activities from 0.1 to 30 mCi per seed.
- We are the only company to provide a number of custom-made accessories for temporary and permanent implants in Brachytherapy.
- We are the first and only company to call our customers the morning after shipping to inform them of mode of transportation and expected arrival time.
- We can supply Ir-192, Au-198, Pd-103, I-125 and Brachytherapy accessories on a single Purchase Order.
- We ship most materials within 24 hours of receipt of the order.

Best Medical International, Inc. 7643 Fullerton Road, Springfield, VA 22153 USA
phone 703 451 2378 800 336 4970 fax 703 451 5228 www.bestmedical.com



CATALOG—2008

Table of Contents

Iodine-125 and Palladium-103.....	1	Template Needles With Funnel and Cap	25
Best [®] Iodine-125 and Best [®] Palladium-103 Sources	2	Template Needles	26
Sterile Seed Products.....	3	Flexi-Needles.....	27
Interstitial Implant Instrument Set	4	Flexi-Needle Combinations	28
Brachytherapy Kit	5	Sterile Flexi-Needles	31
Sterile Brachytherapy Kits.....	6	HDR Remote Afterloading Accessories	33
Nylon Afterloading Tubes.....	7	Round-Handle Fletcher-Suit-Delclos Applicator Set (640R).....	34
Buttons.....	8	Round Handle Fletcher-Suit-Delclos Applicator Set with Bracket (640RB)	35
Implant Needles.....	9	Fletcher-Suit-Delclos Mini-Ovoid Applicator Set (640M)	36
Bronchial Tube.....	10	Delclos Mini-Ovoid Applicator Set with Bracket Assembly (640MRB)	37
Esophageal Applicator (Single Tube).....	11	Burnett Afterload Vaginal Applicator (700A)	38
Curved Needles	12	Delclos Uterine/Vaginal Afterloading Applicator and Dome Assembly (670).....	39
Nylon and Cable Dummy Ribbons	13	Dummy Sources — [Cesium]	40
Brain Implant Kit.....	14	Rectal Marker Kit with Anus Marker	41
Best [®] Disposable Templates	15	Anderson Marker Kit	42
Syed/Neblett Gyn Template 1/Kit.....	16	Adjustable Marker Kit.....	42
Syed/Neblett Gyn Template 2/Kit.....	17	Marker Kit.....	43
Syed/Neblett Gyn Template 3/Kit.....	18	Sterile Gold Marker Kits and Radiopaque Strands.....	44
Syed/Neblett Prostate Template/Kit	19	Needle Implanters.....	55
Syed/Neblett Rectal Template/Kit	20	Mick [®] 200-TPV Applicator Kit	56
Syed/Neblett Urethral Template/Kit.....	21	Diddler—Needle Adjustment Tool.....	57
Disposable Gyn Template/Kit.....	21	Needles	58
Disposable Prostate Template (with Needle Hole).....	22	Index	61
Disposable Prostate Template (with Small Hole).....	23		
Disposable Rectal Templates.....	24		

Iodine-125 and Palladium-103

Patented Double Wall Best® Iodine-125 Source

Model # 2301



Best® Iodine-125 and Best® Palladium-103 Seeds:

- Double Wall Encapsulation
- Traceable to NIST₁₉₉₉ Calibration Revised for 2000
- Sterile Absorbable Strands (Customer's Prescription)
- Sterile, Pre-Loaded Needles (Customer's Choice of Needles)
- Loaded in Mick Cartridges, Sterile or Non-Sterile
- Loose Seeds

5 mm Seeds — 5 mm Spacers

- Seeds and spacers are the same length (5mm). Double wall encapsulation and uniform wall thickness with superior dose distribution. Consistent quality, and seeds fit Mick cartridges.
- Excellent visualization with Ultrasound, X-ray, Fluoro, CT and MRI. **Real time dosimetry possible with Best® seeds.**
- Complies with AAPM's dosimetric prerequisites



Patented Double Wall Best® Palladium-103 Source

Model # 2335

Best Medical International, Inc. 7643 Fullerton Road, Springfield, VA 22153 USA
phone 703 451 2378 800 336 4970 fax 703 451 5228 www.bestmedical.com


healthcare for everyone

Best® Iodine-125 and Best® Palladium-103 Sources

- Patented Double Wall Titanium Encapsulation with uniform wall thickness
- Tungsten Marker—excellent images of source in ultrasound, X-ray, CT, MRI, and fluoro—far superior to other commercially available sources
- Source Calibration traceable to NIST₁₉₉₉ Calibration revised for 2000
- Sources and spacers are the same length (5.0 mm nominal) and diameter (0.8 mm nominal), fitting Mick cartridge snugly
- Custom made high quality spacers and Mick cartridges provided at no cost
- Sources can be provided as loose seeds; loaded in needles with spacers, sterile; loaded in strands, sterile; preloaded in Mick cartridges

Patented Double Wall Best® Iodine-125 Source (Model 2301)

Source Trade Name: **Best® Iodine Source**
Marker: **Tungsten**
Model #: **2301**
Dose Rate Constant: **(NIST 1999 with 2000 modification)**
External Length: **5 mm (Nominal) 1.02 cGy/hr/U**
External Diameter: **0.8 mm (Nominal)**

Patented Double Wall Best® Palladium-103 Source (Model 2335)

Source Trade Name: **Best® Palladium Source**
Marker: **Tungsten**
Model #: **2335**
Dose Rate Constant: **(NIST 1999 with 2000 modification)**
External Length: **5 mm (Nominal) 0.70 cGy/hr/U**
External Diameter: **0.8 mm (Nominal)**

To Place an Order, Call (800) 336-4970 or Fax (703) 451-4852

References:

- 1) A.S. Meigooni, D.M. Gearheart, and K. Sowards, Med. Phys. 27, 2168-2173 (2000)
- 2) S.W. Peterson and B. Thomadsen, Brachytherapy 1, 110-119 (2002)
- 3) R. Nath and N. Yue, Brachytherapy, 1, 102-109 (2002)

Best Medical International, Inc. 7643 Fullerton Road, Springfield, VA 22153 USA
phone 703 451 2378 800 336 4970 fax 703 451 5228 www.bestmedical.com



Sterile Seed Products

I-125

Part #	Description
10165-1	I-125 Strands in a Pack
10165-3	Needle w/I-125 Sources in Strands in a Tray
10165-4	Needle w/I-125 Loose Sources in a Tray
10165-17	Needle w/I-125 Loose Sources and Strands in a Tray
10113-11	Cartridge with I-125 Sources in a Pouch



Pd-103

Part #	Description
15165-1	Pd-103 Strands in a Pack
15165-4	Needle w/Pd-103 Loose Sources in a Tray
15165-9	Needle w/Pd-103 Sources in Strands in a Tray
15165-11	Needle w/Pd-103 Loose Sources and Strands in a Tray
15113-4	Cartridge with Pd-103 Sources in a Pouch



Available from Best[®] within 24 hours:
Best[®] I-125 and Pd-103 seeds in sterile packing



- Best[®] Custom Strand (Per Your Prescription)
- Best[®] Standard Strand (10 Seeds/Strand Spaced 1 cm Apart)
- Best[®] Real Time Strand/Needle (Use Our Loader in the OR)
- Best[®] Seeds and Spacers in Pre-loaded Needles
- Cartridges
- Loose Seeds

Best Medical International, Inc. 7643 Fullerton Road, Springfield, VA 22153 USA
phone 703 451 2378 800 336 4970 fax 703 451 5228 www.bestmedical.com



Interstitial Implant Instrument Set

Part #1074–0012 (Cable Dummy Ribbon) & Part #1074–0013 (Nylon Dummy Ribbon)

Set contains:

- 1 Crile Needleholder for Crimping Buttons
- 1 M.G.H. Needleholder, 10 inch
- 1 Curved Scissors, 10 inch
- 1 Special Cutter for Nylon Implant Tubes
- 10 Implant Needles, 10 cm long, 17 gauge
- 10 Implant Needles, 15 cm long, 17 gauge
- 10 Implant Needles, 20 cm long, 17 gauge
- 10 Implant Needles, 25 cm long, 17 gauge
- 5 Implant Needles, 10 cm long, 14 gauge
- 5 Implant Needles, 15 cm long, 14 gauge
- 5 Implant Needles, 20 cm long, 14 gauge
- 1 Iridium Funnel
- 30 Nylon Retaining Buttons (Syed)
- 30 Stainless Steel Retaining Buttons (Henschke)
- 15 Dummy Ribbons with 12 Seeds Each
(Specify Cable or Nylon Dummy)
- 20 Nylon Implant Tubes (Double Leader)
- 3 Stylets
- 1 Quick-charge Sealer

Best Medical International, Inc. 7643 Fullerton Road, Springfield, VA 22153 USA
phone 703 451 2378 800 336 4970 fax 703 451 5228 www.bestmedical.com



Brachytherapy Kit



The Best® Brachytherapy Kit (Sterile) consists of:

- (5) 6.0 FR-30 cm Afterloading Single Leader Catheters with Filaments and Buttons
- (5) Radiopaque or Clear Nylon Half Moon Buttons
- (5) 17 Gauge or 16 Gauge 20 cm Implant Needles
- (5) Obturators
- (5) Friction Cups
- (5) Red Caps

The catheter tubes are available in four colors (clear, blue, green or purple) and with either radiopaque or clear nylon buttons.

Best Medical International, Inc. 7643 Fullerton Road, Springfield, VA 22153 USA
phone 703 451 2378 800 336 4970 fax 703 451 5228 www.bestmedical.com


Best[®]
healthcare for everyone

Sterile Brachytherapy Kits

Most Brachytherapy kits are available in four different colors

Part #	Description
829	HDR Brachytherapy Kit w/Radiopaque Button and 17g Needles
848	LDR Brachytherapy Kit w/Nylon Button and 17g Needles
856	LDR Brachytherapy Kit w/Radiopaque Button and 17g Needles
862	HDR Brachytherapy Kit w/Nylon Button and 17g Needles
867	HDR Brachytherapy Kit w/Radiopaque Button and 16g Needles
868	LDR Brachytherapy Kit w/Nylon Button and 16g Needles
870	LDR Brachytherapy Kit w/Radiopaque Button and 16g Needles
872	HDR Brachytherapy Kit w/Nylon Button and 16g Needles
876	HDR Brachytherapy Kit w/o Printing w/Radiopaque Button and 17g Needles
880	LDR Brachytherapy Kit w/o Printing w/Nylon Button and 17g Needles
884	LDR Brachytherapy Kit w/o Printing w/Radiopaque Button and 17g Needles
888	HDR Brachytherapy Kit w/o Printing w/Nylon Button and 17g Needles
890	HDR Brachytherapy Kit w/o Printing w/Radiopaque Button and 16g Needles
892	LDR Brachytherapy Kit w/o Printing w/Nylon Button and 16g Needles
894	HDR Brachytherapy Kit w/o Printing w/Nylon Button and 16g Needles
896	LDR Brachytherapy Kit w/o Printing w/Radiopaque Button and 16g Needles
1202	PA Brachytherapy Kit
1283	HDR Brachytherapy Kit with Blind End Catheters
1363	Brachytherapy Kit w/Radiopaque Buttons, Catheters w/o Filament
1366	Brachytherapy Kit w/Nylon Buttons, Catheters w/o Filament
1401	Brachytherapy Kit w/Radiopaque Buttons and Markings (Catheters w/o Filament)
1404	Brachytherapy Kit w/Nylon Buttons and Markings (Catheters w/o Filaments)
1421	PA Brachytherapy Kit, Catheter Leaders w/Cable and Nylon Buttons
1424	PA Brachytherapy Kit, Catheter Leaders w/Cable and Radiopaque Buttons
1470	13 Gauge Brachytherapy Kit
1480	1.9 mm PA Brachytherapy Kit w/Nylon Buttons
1484	1.9 mm PA Brachytherapy Kit w/Nylon Buttons and Markings
1487	1.9 mm PA Brachytherapy Kit w/Radiopaque Buttons and Markings

Best Medical International, Inc. 7643 Fullerton Road, Springfield, VA 22153 USA
 phone 703 451 2378 800 336 4970 fax 703 451 5228 www.bestmedical.com

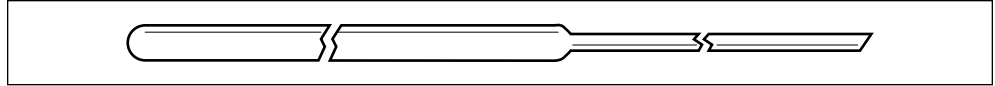


Nylon Afterloading Tubes

The Nylon Afterloading Tubes are of different types: Single Leader, Double Leader, and G.B. Technique Tube [Outer Diameter: 0.065"; Inner Diameter: 0.051"]

Part # 180—30

Single Leader Tube

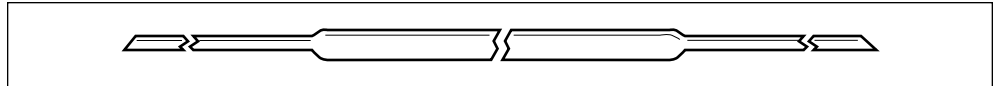


This tube is of 16g and will have a leader at one end so as to thread through the implant needle. Standard length of these tubes are 30 cm and leader 30 cm. One end of this tube is closed. This tube is also known as Blind End Tube.

Sterile Part # 1099

Part # 184—30

Double Leader Tube

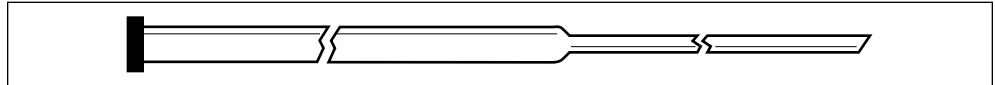


This tube is the same as Single Leader, but with leaders on both ends. The length of the tube is 30 cm and both leaders measure 30 cm each.

Sterile Part # 1101

Part # 187—30

Single Leader G.B. Tech Tube



This 16g Single Leader Tube has a flat end closed and will have a flat, half moon or stainless steel button at the end. Either end will have 30 cm leader.

Sterile Part # 1103

ABOVE TUBES ARE ALSO AVAILABLE STERILE WITH:

Custom lengths and diameters with Filament, Cable, or Cable Dummy Ribbon.






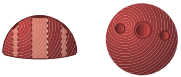
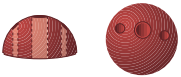



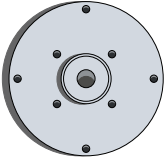

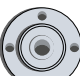
This Product is for One Time Use Only.

CAUTION: This product should be carefully inspected by your staff prior to clinical use and should be used by authorized personnel only.

Best Medical International, Inc. 7643 Fullerton Road, Springfield, VA 22153 USA
phone 703 451 2378 800 336 4970 fax 703 451 5228 www.bestmedical.com


Best[®]
healthcare for everyone

Buttons

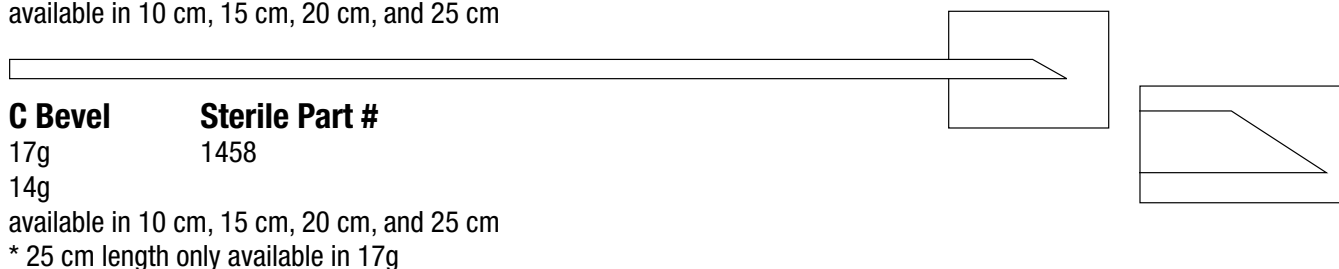
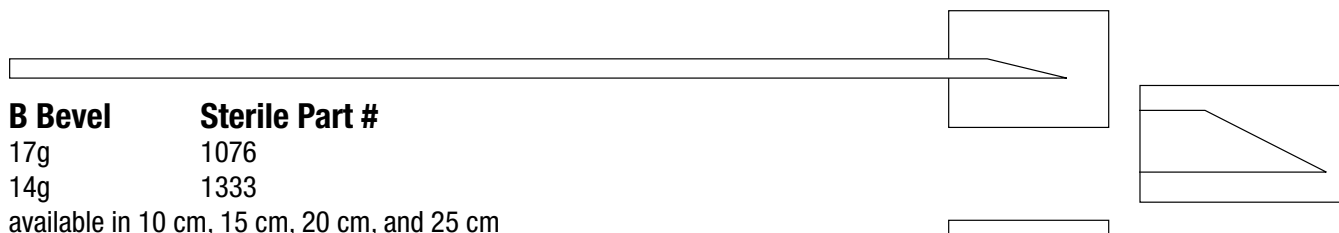
	Part #	Description	Sterile Part #
	494.....	Flat Tungsten	
	208.....	Flat Nylon.....	1078
	240.....	Full Moon Nylon	
	312.....	Half Moon Nylon	1111
	242.....	Half Moon Radiopaque	1109
	239.....	Aluminum	
	221.....	Flat Radiopaque.....	1107
	244.....	Flat Countersink	
	300.....	Flat Large Flexible	
	238.....	Flat Stainless Steel.....	1080
	301.....	Flat Small Flexible	

Different hole sizes are available.

Best Medical International, Inc. 7643 Fullerton Road, Springfield, VA 22153 USA
 phone 703 451 2378 800 336 4970 fax 703 451 5228 www.bestmedical.com



Implant Needles



The Implant Needles are made of stainless steel and are hollow with different types of bevel at one end. Various lengths in different gauges are available, though the most commonly used needle is the 17g. Different types of Implant Needles are listed below:

	Part #	Part #	Part #
17g 10 cm	A—203-10	B—202-10	C—201-10
17g 15 cm	A—203-15	B—202-15	C—201-15
17g 20 cm	A—203-20	B—202-20	C—201-20
17g 25 cm		B—202-25	C—201-25
14g 10 cm		B—200-10	C—199-10
14g 15 cm		B—200-15	C—199-15
14g 20 cm		B—200-20	C—199-20

Custom length is available upon request.



CAUTION: This product should be carefully inspected by your staff prior to clinical use and should be used by authorized personnel only.

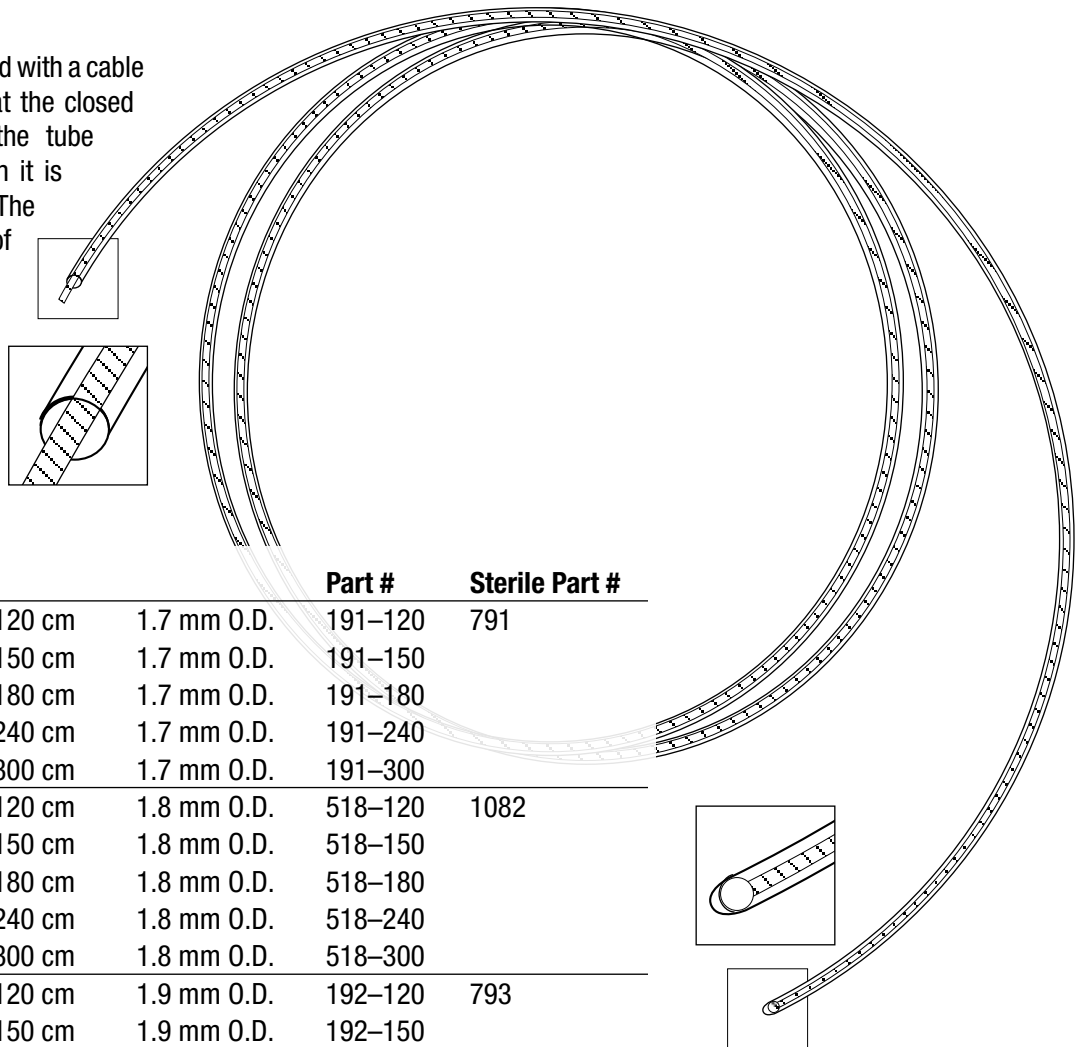
Best Medical International, Inc. 7643 Fullerton Road, Springfield, VA 22153 USA
phone 703 451 2378 800 336 4970 fax 703 451 5228 www.bestmedical.com



Bronchial Tube

Part # 191- , Part # 192-, Part # 518-

This tube is closed at one end with a cable throughout and a marker at the closed end. The cable enables the tube to take the curvature when it is pushed in, without kinking. The marker is to show position of the tube in radiograph. See below for list of available lengths and diameters.



Description			Part #	Sterile Part #
Nylon Bronchial Tube	120 cm	1.7 mm O.D.	191-120	791
Nylon Bronchial Tube	150 cm	1.7 mm O.D.	191-150	
Nylon Bronchial Tube	180 cm	1.7 mm O.D.	191-180	
Nylon Bronchial Tube	240 cm	1.7 mm O.D.	191-240	
Nylon Bronchial Tube	300 cm	1.7 mm O.D.	191-300	
Nylon Bronchial Tube	120 cm	1.8 mm O.D.	518-120	1082
Nylon Bronchial Tube	150 cm	1.8 mm O.D.	518-150	
Nylon Bronchial Tube	180 cm	1.8 mm O.D.	518-180	
Nylon Bronchial Tube	240 cm	1.8 mm O.D.	518-240	
Nylon Bronchial Tube	300 cm	1.8 mm O.D.	518-300	
Nylon Bronchial Tube	120 cm	1.9 mm O.D.	192-120	793
Nylon Bronchial Tube	150 cm	1.9 mm O.D.	192-150	
Nylon Bronchial Tube	180 cm	1.9 mm O.D.	192-180	
Nylon Bronchial Tube	240 cm	1.9 mm O.D.	192-240	
Nylon Bronchial Tube	300 cm	1.9 mm O.D.	192-300	

Custom lengths and different OD/ID also available.



This Product is for One Time Use Only.

CAUTION: This product should be carefully inspected by your staff prior to clinical use and should be used by authorized personnel only.

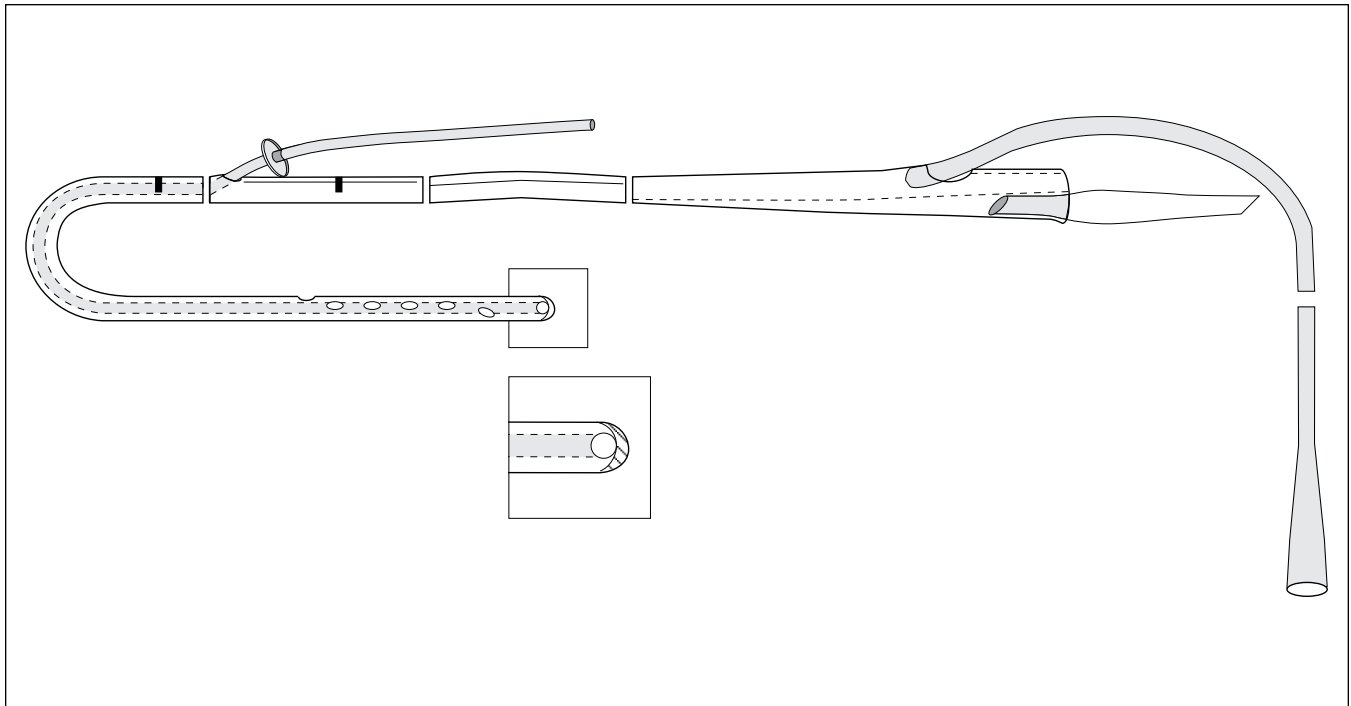
Best Medical International, Inc. 7643 Fullerton Road, Springfield, VA 22153 USA
 phone 703 451 2378 800 336 4970 fax 703 451 5228 www.bestmedical.com



Esophageal Applicator (Single Tube)

Part # 287-1

The Esophageal Applicator is a Nasogastric (NG) tube modified to have one additional afterloading tube in one of the lumens. The afterloading tube is closed at one end and enters through a hole made at 60 cm from the bottom of the NG tube and reaches up to the bottom. A small stainless steel ball is kept at the closed end for checking the position of the tube in the radiograph. A stainless steel button is slid onto the afterloading tube nearer to the open end for suturing to skin.



Reference:

Intraluminal Radiation for Esophageal Cancer: A Howard University Technique. Chitti R. Moorthy, J. Rao Nibhanupudy, Ebrahim Ashayeri, Alfred L. Goldson, Maria C. Espinoza, Joseph J. Nidiry, Oswald G. Warner and Vincent J. Roux. "Journal of the National Medical Association, Vol. 74, No. 3, 1982", Pages 261-266.



This Product is for One Time Use Only.

CAUTION: This product should be carefully inspected by your staff prior to clinical use and should be used by authorized personnel only.

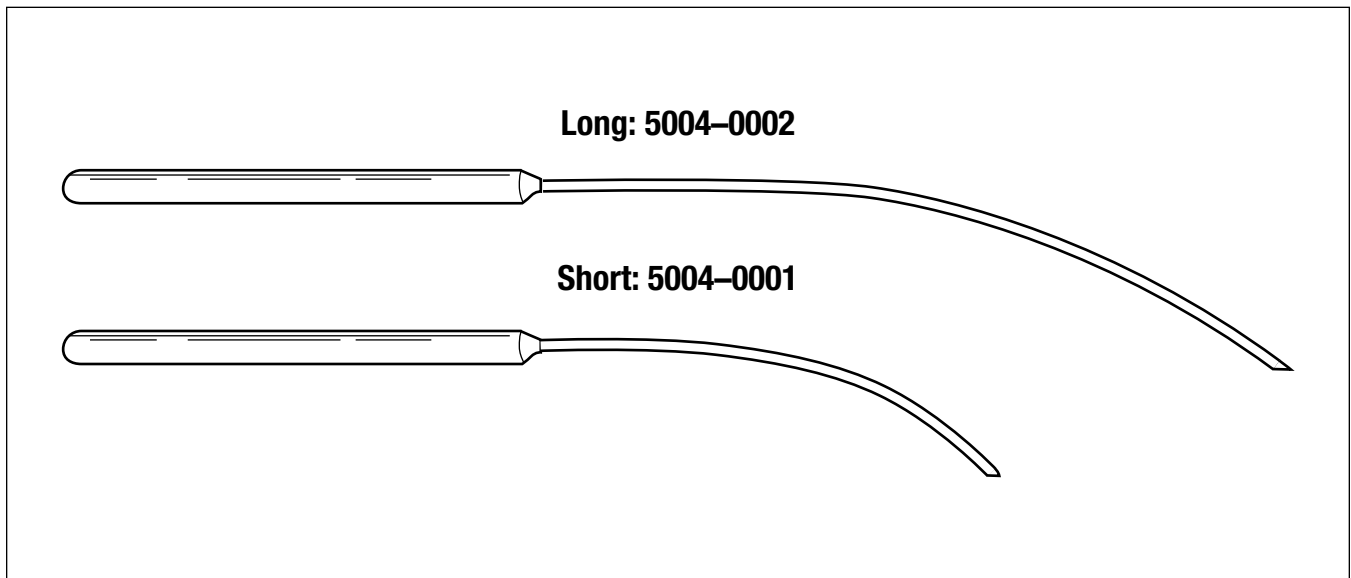
Best Medical International, Inc. 7643 Fullerton Road, Springfield, VA 22153 USA
phone 703 451 2378 800 336 4970 fax 703 451 5228 www.bestmedical.com


Best[®]
healthcare for everyone

Curved Needles

These are curved Stainless Steel Implant Needles with handle. The outer diameter (O.D) is 0.082" and the inner diameter (I.D.) is 0.066". Two sizes are available: short and long. The short needle has a length of 3.5" and the long needles measures 7.25". Each handle is 4" long.

Also available: Thin wall curved short needles.



Reference:

Atlas of Brachytherapy by Hilaris, Nori, Anderson; Chapter 2 Brachytherapy Instruments, Pages 32-33.

Best Medical International, Inc. 7643 Fullerton Road, Springfield, VA 22153 USA
phone 703 451 2378 800 336 4970 fax 703 451 5228 www.bestmedical.com



Anderson Forell Suthanthiran Nylon Dummy Ribbon Set

Part # 5006-0003

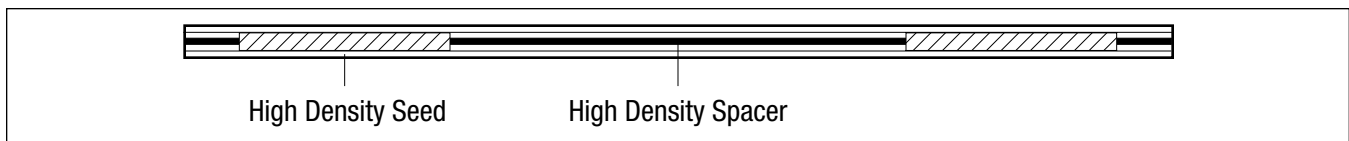
Set contains:

- One ribbon with 12 seeds each of 1.2 mm length and 0.5 mm diameter with spacers of 8.8 mm length and 0.25 mm diameter
- One ribbon with 12 seeds each of 1.8 mm length and 0.5 mm diameter with spacers of 8.2 mm length and 0.25 mm diameter
- One ribbon with 12 seeds each of 2.4 mm length and 0.5 mm diameter with spacers of 7.6 mm length and 0.25 mm diameter
- One ribbon with 12 seeds each of 3.0 mm length and 0.5 mm diameter with spacers of 7.0 mm length and 0.25 mm diameter
- One ribbon with 12 seeds each of 4.0 mm length and 0.5 mm diameter with spacers of 6.0 mm length and 0.25 mm diameter

This enables identification of ribbons in complex implants, facilitates implant radiography and improves localization accuracy. Dr. Lowell L. Anderson of Memorial Sloan-Kettering Cancer Center and Mr. Bruce Forell of City of Hope Medical Center have been very instrumental in bringing about this design concept.

Nylon Dummy Ribbon

Part # 220



The diameter of the nylon dummy ribbon and high density seed are 0.85 mm and 0.5 mm respectively. Nylon Dummy Ribbons are also available with seed lengths of 0.6 mm, 1.2 mm, 1.8 mm, 2.4 mm, 3.0 mm, 4.0 mm and 5.0 mm.

Cable Dummy Ribbon

Part # 423



Cable Dummy Ribbons are similar to the Nylon Dummy Ribbons. The diameters of the cable and the dummy seeds are 0.5 mm and 0.85 mm respectively. Custom made Cable Dummy Ribbons are available with or without alternate markers using seed lengths of 0.6 mm, 1.2 mm, 1.8 mm, 2.4 mm and 3.0 mm.



NOTE: Custom-made Dummy Ribbons (Cable or Nylon) are also available.

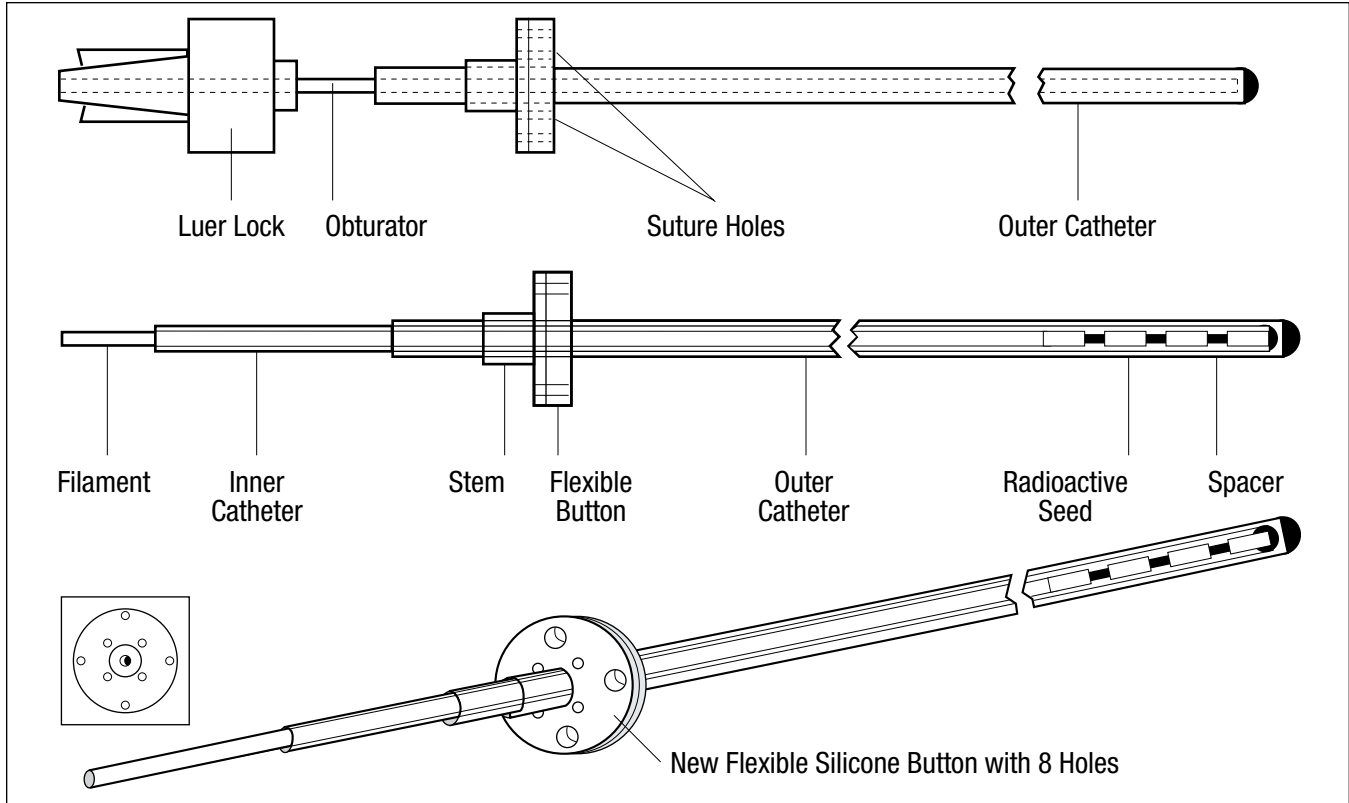
CAUTION: This product should be carefully inspected by your staff prior to clinical use and should be used by authorized personnel only.

Best Medical International, Inc. 7643 Fullerton Road, Springfield, VA 22153 USA
phone 703 451 2378 800 336 4970 fax 703 451 5228 www.bestmedical.com



Brain Implant Kit

Part # 289-1; Sterile Kit Part # 1502



The Brain Implant Kit consists of an outer catheter made of celcon and an inner catheter made of nylon with a nylon filament. The outer catheter has a standard length of 25 cm (other lengths available) with a special obturator and flexible button, closed smoothly on one end. The O.D. of the outer catheter is approximately 0.080" and the I.D. is 0.057". The inner catheter has a standard length of 26 cm (other lengths available) with O.D. of approximately 0.052" and I.D. of 0.038". It is designed for use with standard Iridium-192 and Iodine-125 sources. The filament can be used as spacers and can be heat sealed. The buttons can be positioned along the outer catheter using the appropriate glue. They have suture holes and the stem can be crimped or heat sealed. Each kit is supplied with 3 buttons—flexible large, flexible small, and stainless steel.

	Part #		Part #
Flexible Button (large)	300-1	Flexible Button (small)	301-1
Stainless Steel Button	238-3		



This Product is for One Time Use Only.

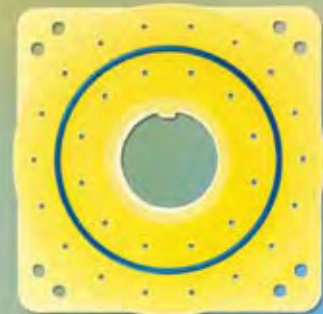
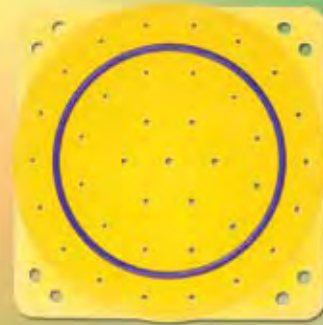
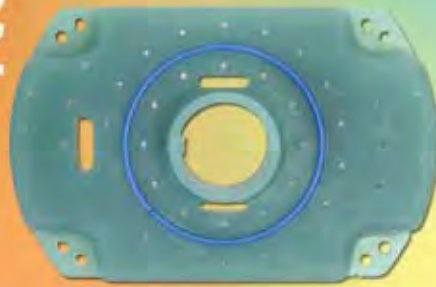
CAUTION: This product should be carefully inspected by your staff prior to clinical use and should be used by authorized personnel only.

Best Medical International, Inc. 7643 Fullerton Road, Springfield, VA 22153 USA
 phone 703 451 2378 800 336 4970 fax 703 451 5228 www.bestmedical.com



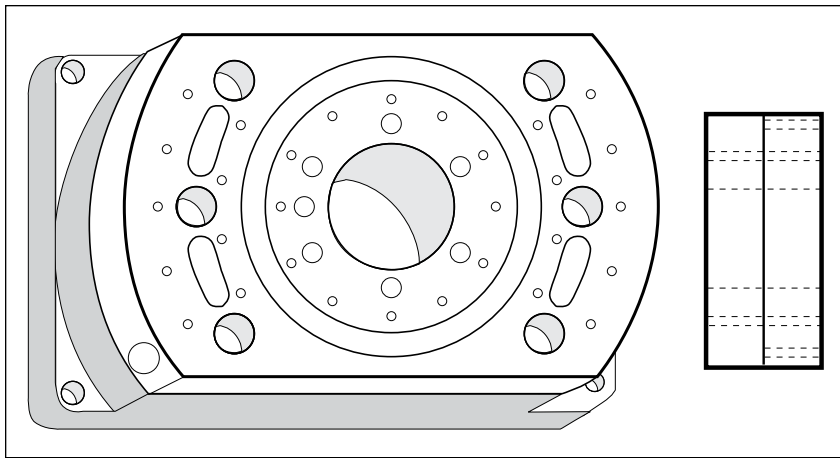
Best[®] Disposable Templates

Providing all your
Brachytherapy
Needs



Best Medical International, Inc. 7643 Fullerton Road, Springfield, VA 22153 USA
phone 703 451 2378 800 336 4970 fax 703 451 5228 www.bestmedical.com





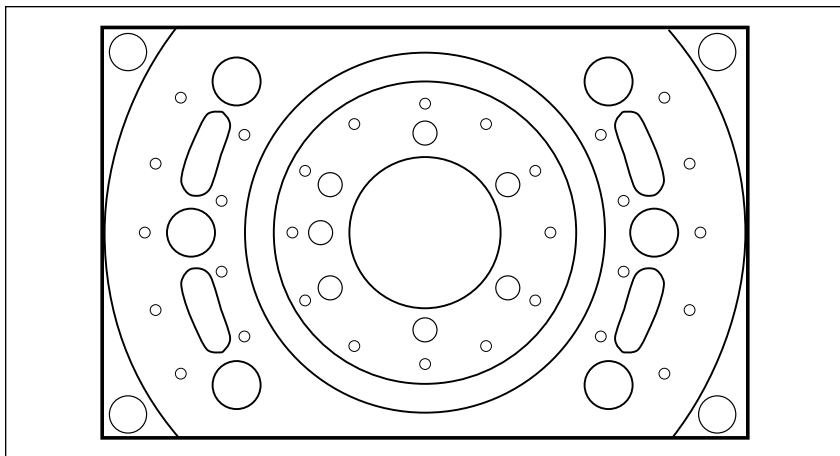
Syed/Neblett Gyn Template #1

Part # 214-1/Sterile Part # 1246-1

With:

- 1 Template
- 1 15 cm Central Rod
- 2 Wrenches
- 1 Stainless Steel Ruler
- 1 Magnification Ring

Extra 'O' Rings, Screws and Cap



Hole Pattern

Syed/Neblett Gyn Template Kit #1

Part # 214-2/Sterile Part # 1246-2

Kit contains:

- 1 Template
- 1 15 cm Central Rod
- 36 Needles with Funnel
- 5 Needles without Funnel
- 1 Magnification Ring
- 2 Wrenches
- 10 Stylets
- 1 Stainless Steel Ruler

Extra 'O' Rings, Screws and Caps

Optional: Storage Tray

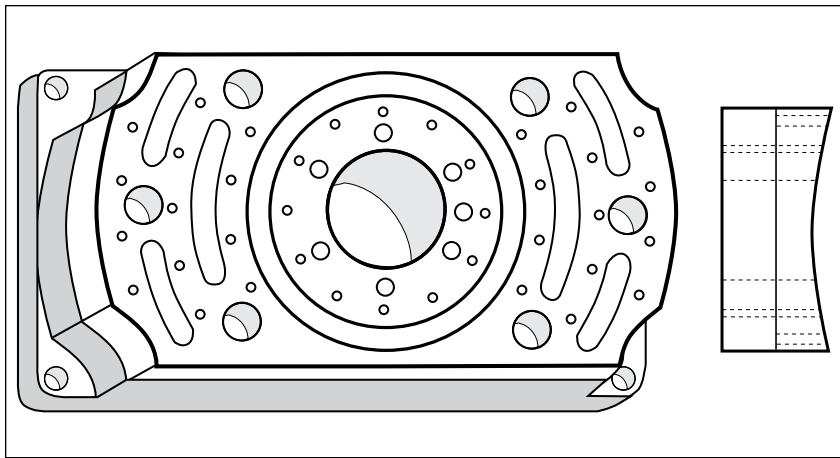


NOTE: Specify hole size when ordering.

CAUTION: This product should be carefully inspected by your staff prior to clinical use and should be used by authorized personnel only.

Best Medical International, Inc. 7643 Fullerton Road, Springfield, VA 22153 USA
phone 703 451 2378 800 336 4970 fax 703 451 5228 www.bestmedical.com





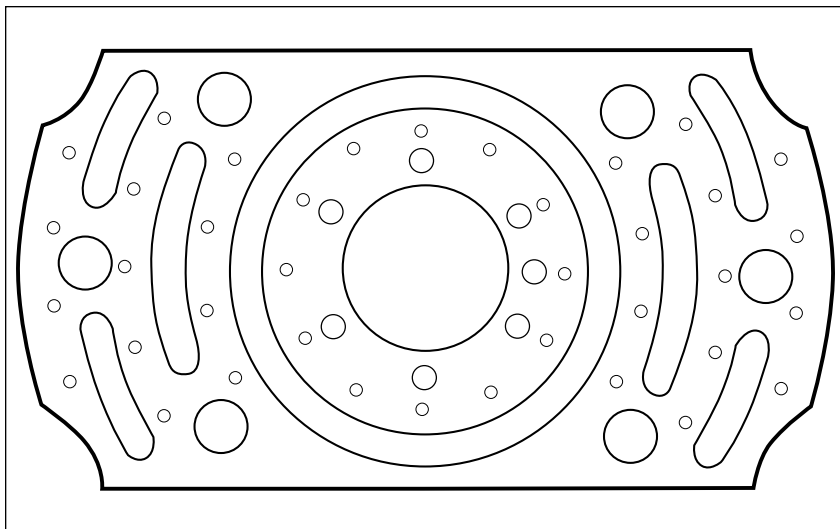
Syed/Neblett Gyn Template #2

Part # 215-1/Sterile Part # 1248-1

With:

- 1 Template
- 1 15 cm Central Rod
- 2 Wrenches
- 1 Stainless Steel Ruler
- 1 Magnification Ring

Extra 'O' Rings, Screws and Cap



Hole Pattern (Actual Size)

Syed/Neblett Gyn Template Kit #2

Part # 215-2/Sterile Part # 1248-2

Kit contains:

- 1 Template
- 1 15 cm Central Rod
- 45 Needles with Funnel
- 5 Needles without Funnel
- 1 Magnification Ring
- 2 Wrenches
- 10 Stylets
- 1 Stainless Steel Ruler

Extra 'O' Rings, Screws and Caps

Optional: Storage Tray

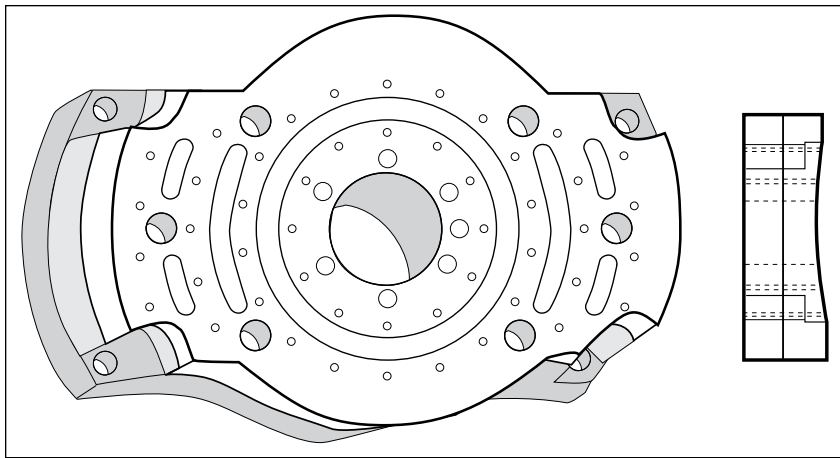


NOTE: Specify hole size when ordering.

CAUTION: This product should be carefully inspected by your staff prior to clinical use and should be used by authorized personnel only.

Best Medical International, Inc. 7643 Fullerton Road, Springfield, VA 22153 USA
phone 703 451 2378 800 336 4970 fax 703 451 5228 www.bestmedical.com


healthcare for everyone



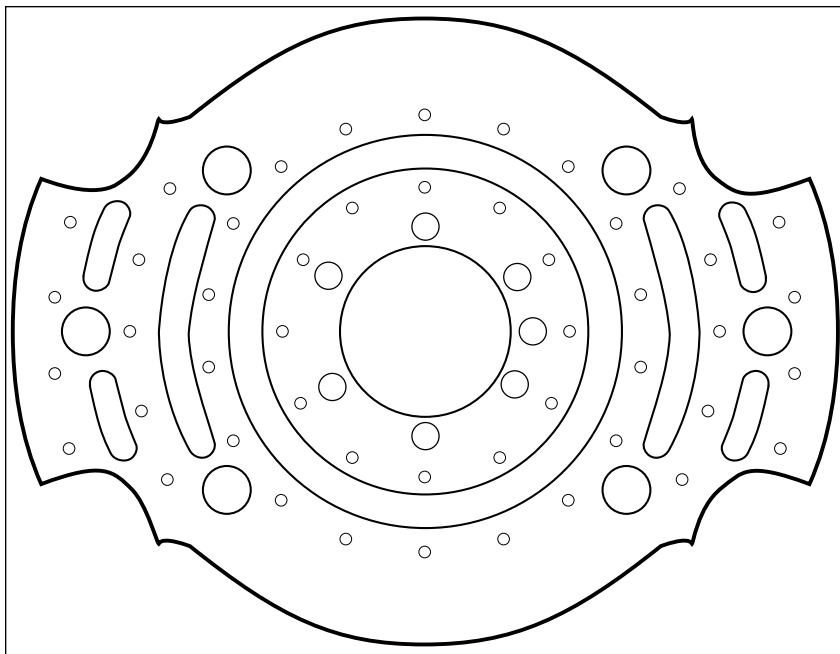
Syed/Neblett Gyn Template #3

Part # 216-1/Sterile Part # 1250-1

With:

- 1 Template
- 1 15 cm Central Rod
- 2 Wrenches
- 1 Stainless Steel Ruler
- 1 Magnification Ring

Extra 'O' Rings, Screws and Cap



Hole Pattern (Actual Size)

Syed/Neblett Gyn Template Kit #3

Part # 216-2/Sterile Part # 1250-2

Kit contains:

- 1 Template
- 1 15 cm Central Rod
- 55 Needles with Funnel
- 5 Needles without Funnel
- 1 Magnification Ring
- 2 Wrenches
- 10 Stylets
- 1 Stainless Steel Ruler

Extra 'O' Rings, Screws and Caps

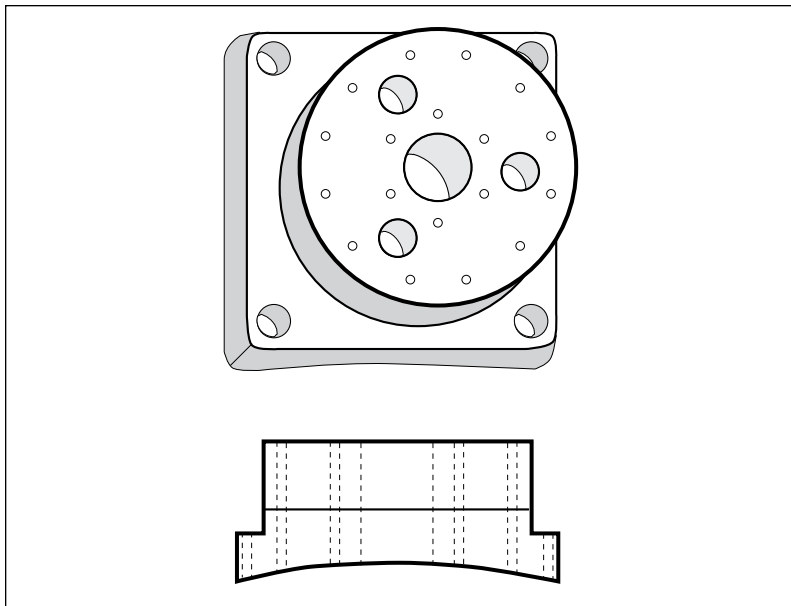


NOTE: Specify hole size when ordering.

CAUTION: This product should be carefully inspected by your staff prior to clinical use and should be used by authorized personnel only.

Best Medical International, Inc. 7643 Fullerton Road, Springfield, VA 22153 USA
phone 703 451 2378 800 336 4970 fax 703 451 5228 www.bestmedical.com



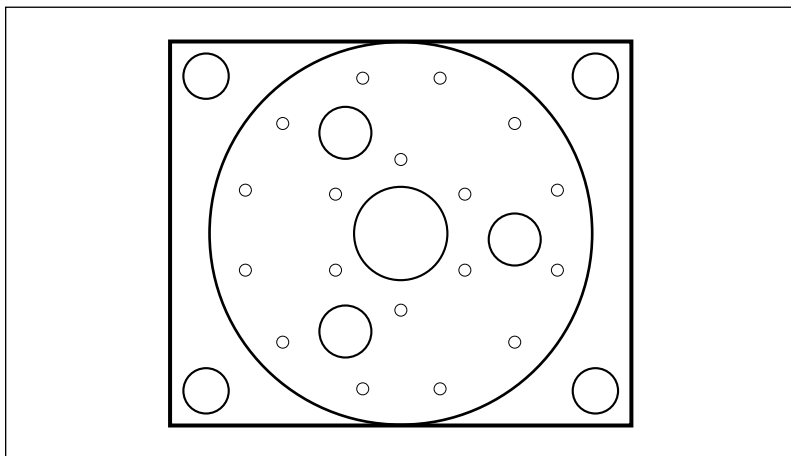


Syed/Neblett Prostate Template

Part # 159-1/Sterile Part # 1260-1

With:

- 1 Template
- 1 Wrench
- Extra 'O' Rings and Screws



Syed/Neblett Prostate Template Kit

Part # 159-2/Sterile Part # 1260-2

Kit contains:

- 1 Template
- 18 Needles with Funnel
- 3 Needles without Funnel
- 1 Wrench
- 5 Stylets
- 1 Stainless Steel Ruler

Extra 'O' Rings, Screws and Caps

Optional: Storage Tray

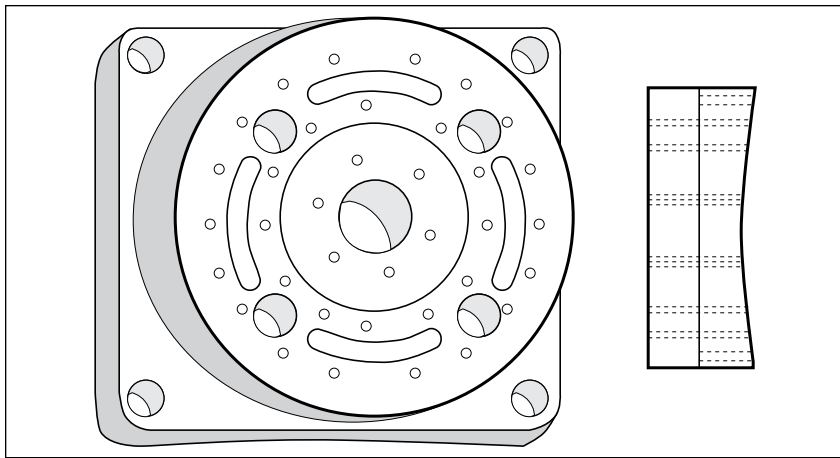


NOTE: Specify hole size when ordering.

CAUTION: This product should be carefully inspected by your staff prior to clinical use and should be used by authorized personnel only.

Best Medical International, Inc. 7643 Fullerton Road, Springfield, VA 22153 USA
 phone 703 451 2378 800 336 4970 fax 703 451 5228 www.bestmedical.com



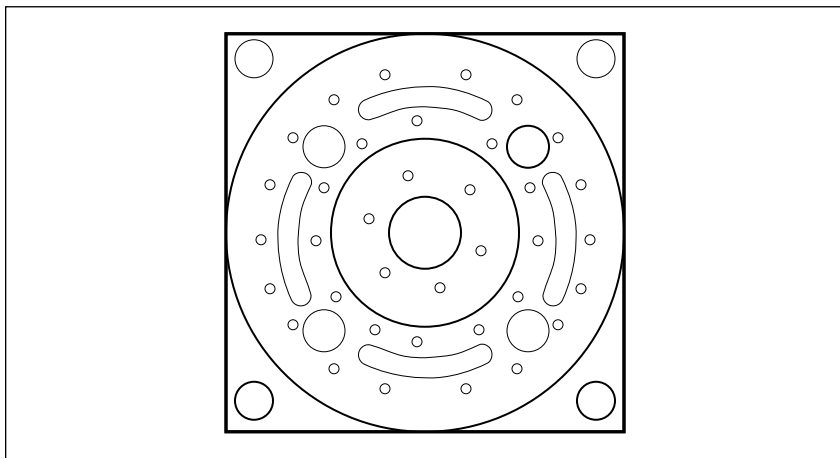


Syed/Neblett Rectal Template

Part # 236-1/Sterile Part # 1256-1

With:

- 1 Template
- 1 Wrench
- Extra 'O' Rings and Screws



Hole Pattern

Syed/Neblett Rectal Template Kit

Part # 236-2/Sterile Part # 1256-2

Kit contains:

- 1 Template
- 36 Needles with Funnel
- 3 Needles without Funnel
- 1 Wrench
- 1 Stainless Steel Ruler

Extra 'O' Rings, Screws and Caps
Optional: Storage Tray

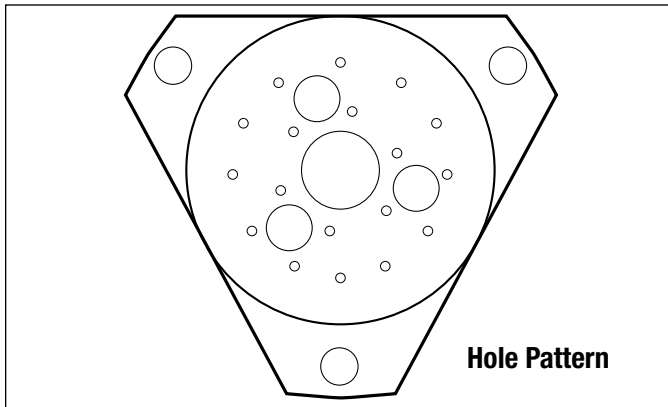
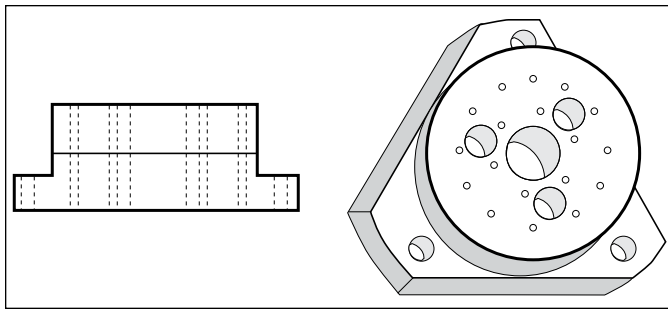


NOTE: Specify hole size when ordering.

CAUTION: This product should be carefully inspected by your staff prior to clinical use and should be used by authorized personnel only.

Best Medical International, Inc. 7643 Fullerton Road, Springfield, VA 22153 USA
phone 703 451 2378 800 336 4970 fax 703 451 5228 www.bestmedical.com



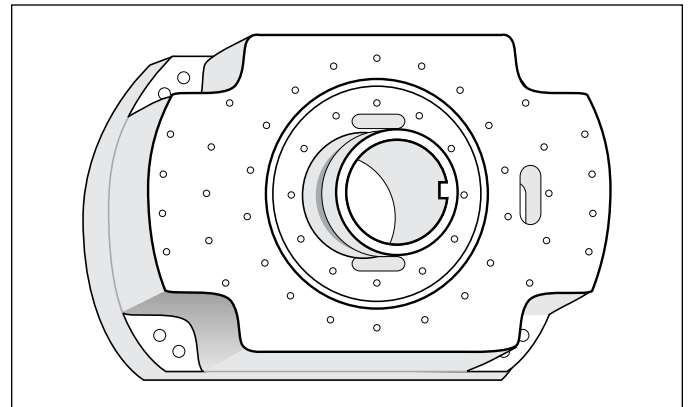


Syed/Neblett Urethral Template

Part # 237-1/Sterile Part # 1264-1

With:

1 Template, 1 Wrench and Extra 'O' Rings, Screws and Cap



Syed/Neblett Urethral Template Kit

Part # 237-2/Sterile Part # 1264-2

Kit contains:

- 1 Template
- 18 Needles with Funnel; 2 Needles without Funnel
- 1 Wrench
- 5 Stylets
- 1 Stainless Steel Ruler

Extra 'O' Rings, Screws and Caps

Optional: Storage Tray

17G Disposable Gyn Template Kit

Part # 350-1/Sterile Part # 350-2

Kit contains:

1 Template, 15 cm Central Rod, 1 Wrench, Sleeve and Extra 'O' Ring

17G Non-Sterile Template Only

Part # 778

15G Non-Sterile Template Only

Part # 474

15G Sterile Template Kit

Part # 790

NOTE: Specify hole size when ordering.



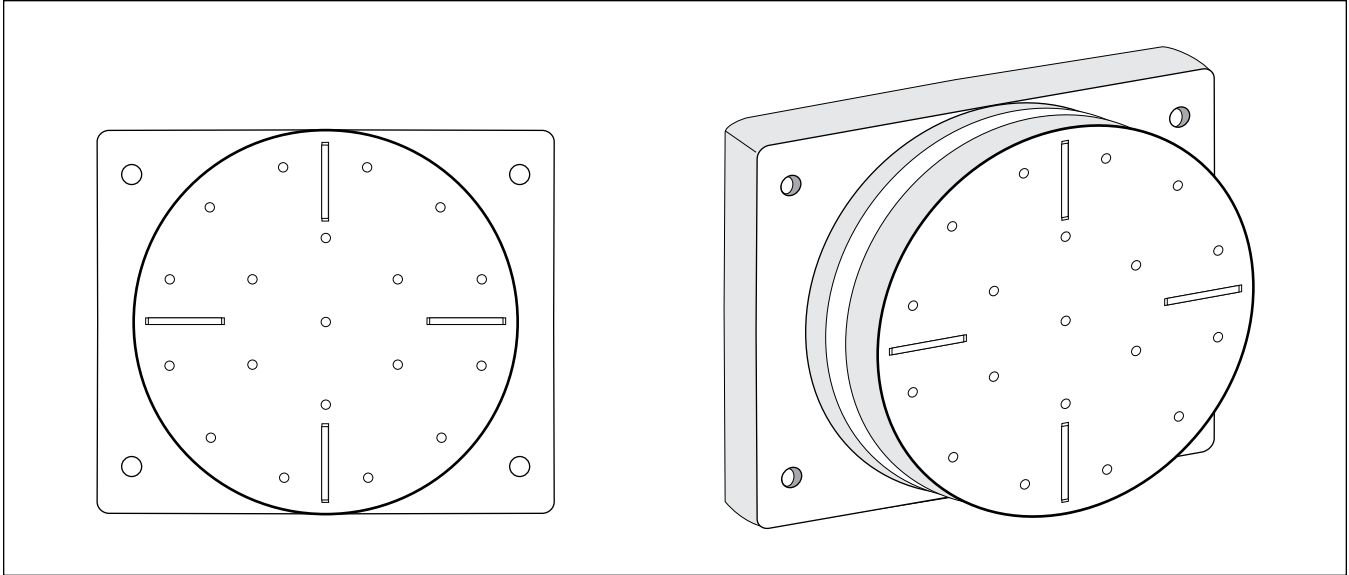
CAUTION: This product should be carefully inspected by your staff prior to clinical use and should be used by authorized personnel only.

Best Medical International, Inc. 7643 Fullerton Road, Springfield, VA 22153 USA
 phone 703 451 2378 800 336 4970 fax 703 451 5228 www.bestmedical.com



Disposable Prostate Template (with Needle Hole)

Part # 223-1



This disposable prostate template is made of Medical Grade Silicone Elastomer. The hole pattern is as shown in the figure.

This disposable template is for one time use only.



NEEDLES: 17 gauge flexi-needles or 17 gauge stainless steel needles could be used. If you find difficulty in pushing the needles through the holes, dip needle in appropriate lubricant and use.

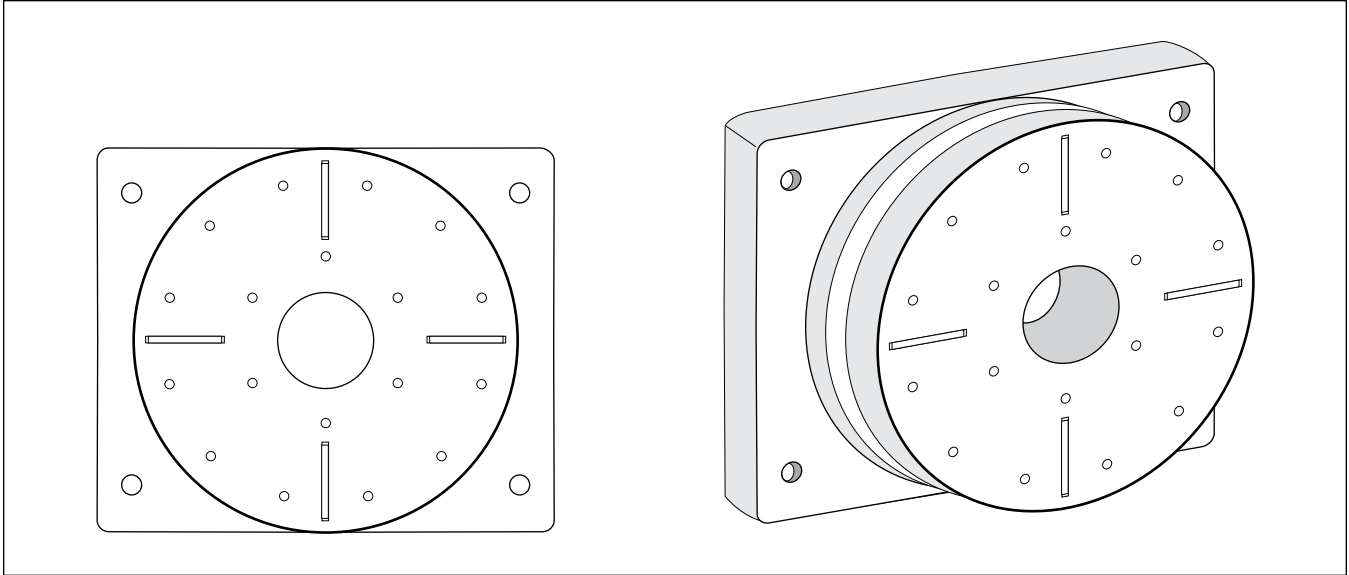
CAUTION: This product should be carefully inspected by your staff prior to clinical use and should be used by authorized personnel only.

Best Medical International, Inc. 7643 Fullerton Road, Springfield, VA 22153 USA
phone 703 451 2378 800 336 4970 fax 703 451 5228 www.bestmedical.com


Best[®]
healthcare for everyone

Disposable Prostate Template (with Small Hole)

Part # 473-1



This disposable prostate template is made of Medical Grade Silicone Elastomer. The hole pattern is as shown in the figure.

This disposable template is for one time use only.

Sterile Prostate Template 15G

Part # 726-2



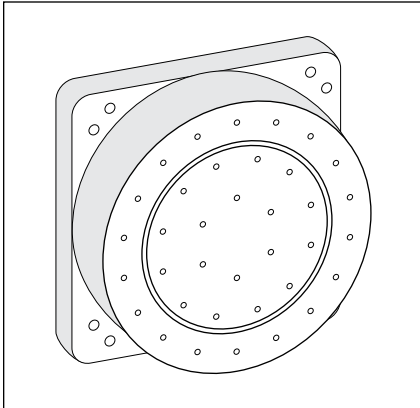
NEEDLES: 17 gauge flexi-needles or 17 gauge stainless steel needles could be used. If you find difficulty in pushing the needles through the holes, dip needle in appropriate lubricant and use.

CAUTION: This product should be carefully inspected by your staff prior to clinical use and should be used by authorized personnel only.

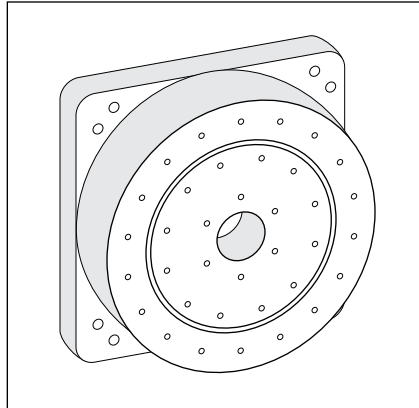
Best Medical International, Inc. 7643 Fullerton Road, Springfield, VA 22153 USA
phone 703 451 2378 800 336 4970 fax 703 451 5228 www.bestmedical.com


Best[®]
healthcare for everyone

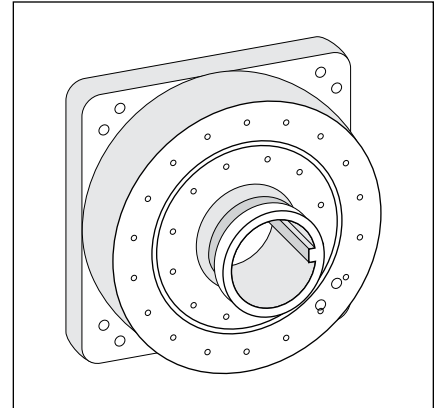
Disposable Rectal Templates



Part # 291-1



Part # 292-1



**Part # 293-1/Sterile Part#
1084/Sterile Kit Part # 1384**

This disposable rectal template is made of Medical Grade Silicone Elastomer. The hole pattern is as shown in the figure.

This disposable template is for one time use only.

NEEDLES: 17 gauge flexi-needles or 17 gauge stainless steel needles could be used. If you find difficulty in pushing the needles through the holes, dip needle in appropriate lubricant and use.

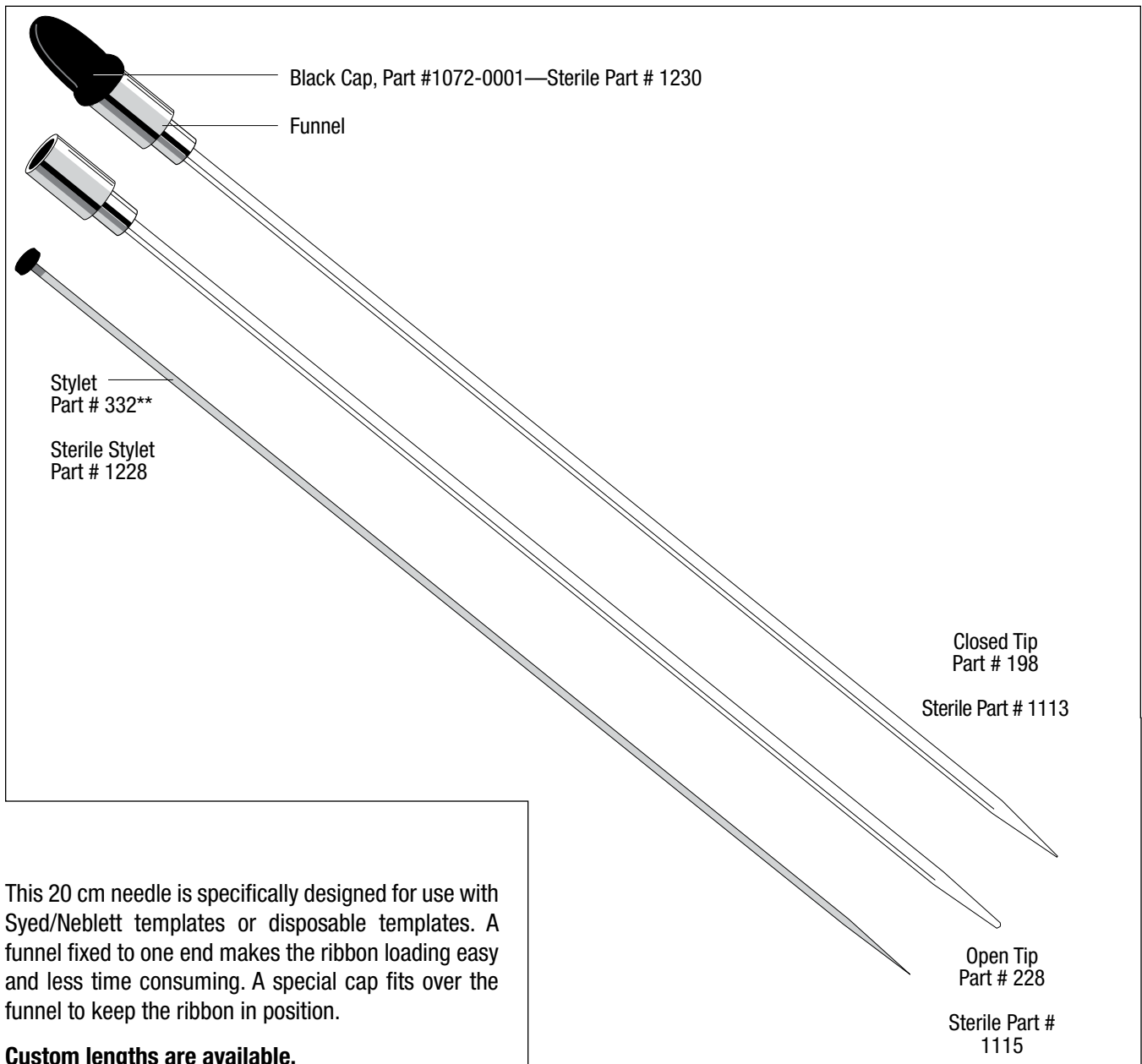
CAUTION: This product should be carefully inspected by your staff prior to clinical use and should be used by authorized personnel only.



Best Medical International, Inc. 7643 Fullerton Road, Springfield, VA 22153 USA
phone 703 451 2378 800 336 4970 fax 703 451 5228 www.bestmedical.com


Best[®]
healthcare for everyone

Template Needles With Funnel and Cap



Caps Are for One Time Use Only.

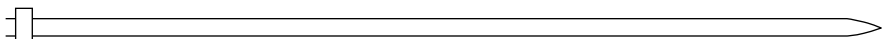
CAUTION: This product should be carefully inspected by your staff prior to clinical use and should be used by authorized personnel only.

Best Medical International, Inc. 7643 Fullerton Road, Springfield, VA 22153 USA
phone 703 451 2378 800 336 4970 fax 703 451 5228 www.bestmedical.com

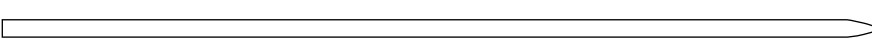


Template Needles

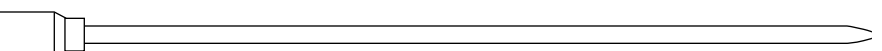
Template Needles, 17g

With collar  Closed tip*

Open Tip.....Part # 227
Sterile Open End.....Part # 1395
Sterile Closed End ...Part # 1397

Without collar  Open tip*

.....Part # 196
Sterile Open End.....Part # 1226
Sterile Closed End ...Part # 1224

With funnel  Open tip*

Closed Sharp TipPart # 231 Sterile.....Part # 1113
Closed Tip.....Part # 198 Sterile.....Part # 1115
Open Tip.....Part # 228

*** All needles are available with open, closed or sharp tips
Custom lengths available upon request; please specify length**

These 17 Gauge Needles are used with the templates, which improve the homogeneity of radiation. Needles of different lengths, closed end or open end, with or without collar, with or without funnel, with or without obturator are available. Catalog numbers of different template needles are given below:

OPEN END	STERILE	CLOSED END	STERILE
Tapered without Collar 10 cm, 15 cm, 20 cm, 25 cm... Part # 196.....Part # 1226		Sharp with Collar 10 cm, 15 cm, 20 cm, 25 cm... Part # 197.....Part # 1397	
Tapered with Collar 10 cm, 15 cm, 20 cm, 25 cm... Part # 227.....Part # 1395		Sharp without Collar 10 cm, 15 cm, 20 cm Part # 193.....Part # 1224	
Template Needle w/Funnel & Open Tip 20 cm..... Part # 228.....Part # 1115		Template Needle (Pencil Point or Sharp) w/Funnel & Closed Tip 20 cm..... Part # 198.....Part # 1113	
Stylet..... Part # 332.....Part # 1228			



CAUTION: This product should be carefully inspected by your staff prior to clinical use and should be used by authorized personnel only.

Best Medical International, Inc. 7643 Fullerton Road, Springfield, VA 22153 USA
phone 703 451 2378 800 336 4970 fax 703 451 5228 www.bestmedical.com



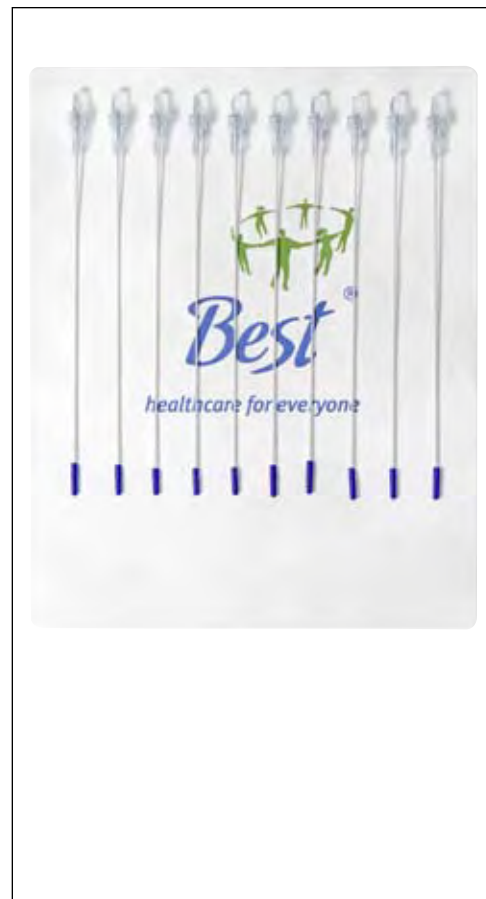
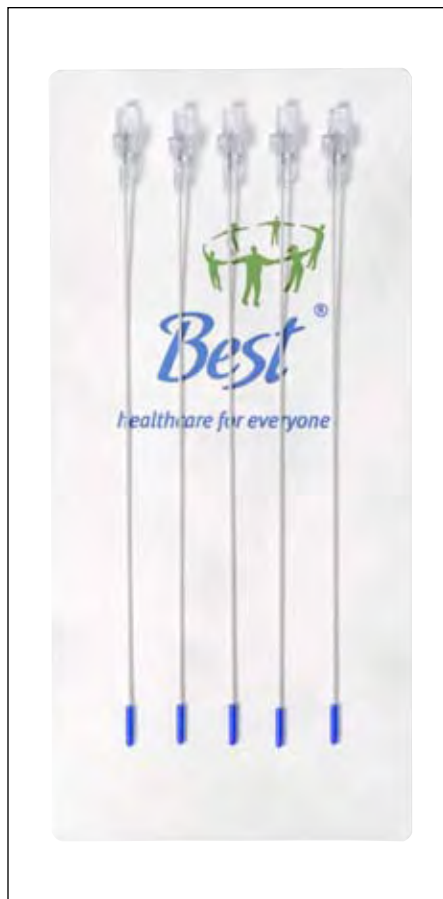
Flexi-Needles

Description

Flexi-Needles are sharp or blunt, closed-ended needle guides. They are made of biologically compatible material. They measure 20.2 cm from tip to end (custom lengths available upon request) and have nominal 0.3 cm long tip.

Intended Use

Flexi-Needles are inserted transcutaneously, using special obturators. They are designed to be afterloaded with Iridium-192 or Iodine-125 ribbon sources. Two types of caps are available (Luer Cap or Slip Cap) to place over the loaded Flexi-Needle to hold the ribbons in place during irradiation. Simulator sources can be used for localization; obturators are left in place until the time each is afterloaded with the appropriate radioactive source.



WARNING

Obturators are made of Tungsten or stainless steel. Both obturator and Flexi-Needle may break if bone, hard skin, hard surfaces, or excessive forces are encountered.

PRECAUTIONS

Caution: Device is shipped Non-Sterile or Sterile.

Caution: Flexi-Needles and Obturators are for single use only.

Caution: Federal law restricts this device to sale by or on the order of a physician.

Caution: Ensure Obturator is all the way to the tip of the Flexi-Needle prior to insertion.

Caution: Luer hubs may separate from the Flexi-Needle and Obturators if excessive force is applied.



Best Medical International, Inc. 7643 Fullerton Road, Springfield, VA 22153 USA
phone 703 451 2378 800 336 4970 fax 703 451 5228 www.bestmedical.com



Flexi-Needle Combinations

Gauge	Part Number	Outer Diameter	Inner Diameter
-------	-------------	----------------	----------------

1. Flexi-Needle Sharp without Luer Lock, without Obturator**

13 Gauge	251—**	0.095"	0.078"
14 Gauge	252—**	0.083"	0.062"
15 Gauge	253—**	0.078"	0.057"
16 Gauge	254—**	0.066"	0.050"
17 Gauge	255—**	0.058"	0.040"
18 Gauge	256—**	0.050"	0.031"

2. Flexi-Needle Sharp, with Luer Lock, without Obturator**

13 Gauge	263—**	0.095"	0.078"
14 Gauge	264—**	0.083"	0.062"
15 Gauge	265—**	0.078"	0.057"
16 Gauge	266—**	0.066"	0.050"
17 Gauge	267—**	0.058"	0.040"
18 Gauge	268—**	0.050"	0.031"

3. Flexi-Needle Sharp with Luer Lock and Obturator**

13 Gauge	281—**	0.095"	0.078"
14 Gauge	282—**	0.083"	0.062"
15 Gauge	283—**	0.078"	0.057"
16 Gauge	284—**	0.066"	0.050"
17 Gauge	285—**	0.058"	0.040"
18 Gauge	286—**	0.050"	0.031"

4. Flexi-Needle Sharp without Luer Lock, with Obturator**

13 Gauge	354—**	0.095"	0.078"
14 Gauge	355—**	0.083"	0.062"
15 Gauge	356—**	0.078"	0.057"
16 Gauge	357—**	0.066"	0.050"
17 Gauge	358—**	0.058"	0.040"
18 Gauge	359—**	0.050"	0.031"

** please specify length

Best Medical International, Inc. 7643 Fullerton Road, Springfield, VA 22153 USA
 phone 703 451 2378 800 336 4970 fax 703 451 5228 www.bestmedical.com



Flexi-Needle Combinations—continued

Gauge	Part Number	Outer Diameter	Inner Diameter
5. Flexi-Needle Sharp, without Luer Lock, with Rod (Obturator without Luer Lock)**			
13 Gauge	402—**	0.095"	0.078"
14 Gauge	403—**	0.083"	0.062"
15 Gauge	404—**	0.078"	0.057"
16 Gauge	405—**	0.066"	0.050"
17 Gauge	406—**	0.058"	0.040"
18 Gauge	407—**	0.050"	0.031"
6. Flexi-Needle Blunt End without Luer Lock and without Obturator**			
13 Gauge	257—**	0.095"	0.078"
14 Gauge	258—**	0.083"	0.062"
15 Gauge	259—**	0.078"	0.057"
16 Gauge	260—**	0.066"	0.050"
17 Gauge	261—**	0.058"	0.040"
18 Gauge	262—**	0.050"	0.031"
7. Flexi-Needle Blunt End with Luer Lock, without Obturator**			
13 Gauge	269—**	0.095"	0.078"
14 Gauge	270—**	0.083"	0.062"
15 Gauge	271—**	0.078"	0.057"
16 Gauge	272—**	0.066"	0.050"
17 Gauge	273—**	0.058"	0.040"
18 Gauge	274—**	0.050"	0.031"
8. Flexi-Needle Blunt End with Luer Lock and Obturator**			
13 Gauge	275—**	0.095"	0.078"
14 Gauge	276—**	0.083"	0.062"
15 Gauge	277—**	0.078"	0.057"
16 Gauge	278—**	0.066"	0.050"
17 Gauge	279—**	0.058"	0.040"
18 Gauge	280—**	0.050"	0.031"

**please specify length

Best Medical International, Inc. 7643 Fullerton Road, Springfield, VA 22153 USA
 phone 703 451 2378 800 336 4970 fax 703 451 5228 www.bestmedical.com



Flexi-Needle Combinations—continued

Gauge	Part Number	Outer Diameter	Inner Diameter
9. Flexi-Needle Blunt End without Luer Lock, with Obturator**			
13 Gauge	360—**	0.095"	0.078"
14 Gauge	361—**	0.083"	0.062"
15 Gauge	362—**	0.078"	0.057"
16 Gauge	363—**	0.066"	0.050"
17 Gauge	364—**	0.058"	0.040"
18 Gauge	365—**	0.050"	0.031"
10. Flexi-Needle Blunt End without Luer Lock, with Rod (Obturator without Luer Lock)**			
13 Gauge	408—**	0.095"	0.078"
14 Gauge	409—**	0.083"	0.062"
15 Gauge	410—**	0.078"	0.057"
16 Gauge	411—**	0.066"	0.050"
17 Gauge	412—**	0.058"	0.040"
18 Gauge	413—**	0.050"	0.031"
11. Obturator only, with Luer Lock**			
13 Gauge	294—**	0.095"	0.078"
14 Gauge	295—**	0.083"	0.062"
15 Gauge	296—**	0.078"	0.057"
16 Gauge	297—**	0.066"	0.050"
17 Gauge	298—**	0.058"	0.040"
18 Gauge	299—**	0.050"	0.031"
12. Rod only (Obturator without Luer Lock)**			
13 Gauge	472—**	0.095"	0.078"
14 Gauge	440—**	0.083"	0.062"
15 Gauge	440—**	0.078"	0.057"
16 Gauge	438—**	0.066"	0.050"
17 Gauge	436—**	0.058"	0.040"
18 Gauge	435—**	0.050"	0.031"
13. Flexi-Needle Sharp with Luer Lock, with Obturator**			
15.5 Gauge	555—**	0.072"	0.054"

**please specify length

Best Medical International, Inc. 7643 Fullerton Road, Springfield, VA 22153 USA
 phone 703 451 2378 800 336 4970 fax 703 451 5228 www.bestmedical.com



Sterile Flexi-Needles

Custom Lengths Available.

Needles up to 25 cm long will be packed in a tray. Needles over 25 cm long will be packed in a pouch.

Part Number	Needle Type	Quantity
900	15g Set w/Tungsten Obturator	10
1036	15g Set w/Tungsten Obturator	5
912	15g Set w/S.S. Obturator	10
1040	15g Set w/S.S. Obturator	5
1117	15g Set w/S.S. Obturator	1
903	15g w/o Luer Lock w/Obturator	10
1037	15g w/o Luer Lock w/Obturator	5
1161	15g Obturator Assembly w/S.S. Rod	Up to 5
915	15g w/o Luer Lock w/S.S. Obturator	10
1041	15g w/o Luer Lock w/S.S. Obturator	5
940	15g Printed w/o Luer Lock w/Obturator	10
942	15g Printed w/o Luer Lock w/Obturator	5
1051	15g Sharp Needles	10
1144	15g Flexi-Needle w/Luer Lock w/o Obturator	Up to 10
1164	15g Sharp Needles	5
1166	15g Sharp Needles	1
1272	15g Blunt Needles	Up to 10
1303	15g Flexi-Needle w/S.S. Sleeve	5
1053	15.5g Sharp Needles	10
944	15.5g Printed w/o Luer Lock w/Obturator	10
946	15.5g Printed w/o Luer Lock w/Obturator	5
1339	15.5g Flexi-Needle w/S.S. Sleeve	Max of 10
906	16g Set w/Tungsten Obturator	10
1038	16g Set w/Tungsten Obturator	5
918	16g Set w/S.S. Obturator	10

Best Medical International, Inc. 7643 Fullerton Road, Springfield, VA 22153 USA
 phone 703 451 2378 800 336 4970 fax 703 451 5228 www.bestmedical.com



Sterile Flexi-Needles – continued

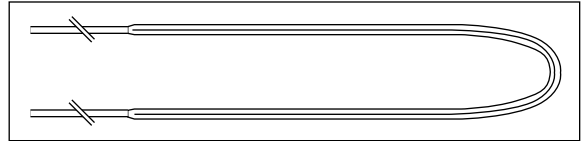
Part Number	Needle Type	Quantity
1042	16g Set w/S.S. Obturator	5
1212	16g Blunt End w/S.S. Obturator	1
974	16g w/o Luer Lock w/Obturator	10
1055	16g Sharp	10
1350	16g Printed Sharp End Flexi-Needles	5
948	16g Printed w/o Luer Lock w/Obturator	10
950	16g Printed w/o Luer Lock w/Obturator	5
1060	16g Blunt w/Luer Lock	1
1216	16g Sharp Needles	5
1179	16g Flexi-Needle w/o Luer Lock w/Hub Stylet	5
1352	16g Tungsten Stylets for Needles w/Hub	Up to 5
1218	16g S.S. Obturator	5
1214	16g S.S. Obturator	1
909	17g Set w/Tungsten Obturator	10
1039	17g Set w/Tungsten Obturator	5
921	17g Set w/S.S. Obturator	10
1043	17g Set w/S.S. Obturator	5
1057	17g Sharp Needles	10
1220	17g Sharp Needles	5
952	17g Printed w/o Luer Lock w/Obturator	10
954	17g Printed w/o Luer Lock w/Obturator	5
1222	17g S.S. Obturator for Needle	Up to 5
1276	18g Set w/Tungsten Obturator	10
1278	18g Set w/Tungsten Obturator	5
1280	18g Sharp Needles	Up to 10
1500	13g Flexi-Needle w/S.S. Obturator	Up to 5
1157	Flexi-Needle Insertion Kit	1 Kit

Best Medical International, Inc. 7643 Fullerton Road, Springfield, VA 22153 USA
 phone 703 451 2378 800 336 4970 fax 703 451 5228 www.bestmedical.com

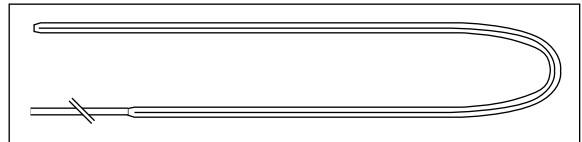


HDR Remote Afterloading Accessories

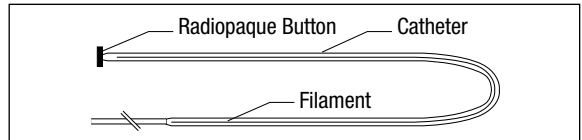
Double Leader Catheter with Filament	Part #
1.7 mm O.D.	542-30
Sterile	1148
1.8 mm O.D.	522-30
1.9 mm O.D.	186-30
Sterile	1252



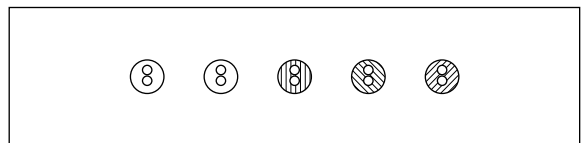
Single Leader, Blind End Catheter with Filament	Part #
1.7 mm O.D.	538-30
Sterile	1146
1.8 mm O.D.	564-30
1.9 mm O.D.	182-30
Sterile	1092



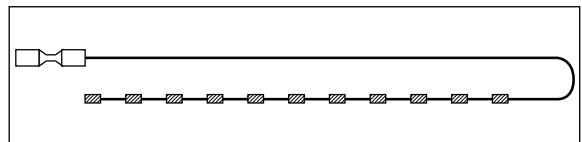
GB Tech Tube with Button and Filament	Part #
1.7 mm O.D.	616-30
Sterile	1150
1.8 mm O.D.	633-30
1.9 mm O.D.	190-30
Sterile	1105



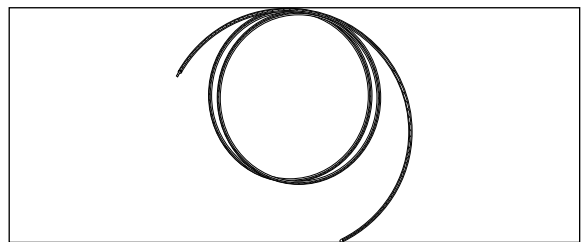
Radiopaque Buttons	Part #
1.7 mm hole	244-1
1.8 mm hole	244-2
1.9 mm hole	244-3



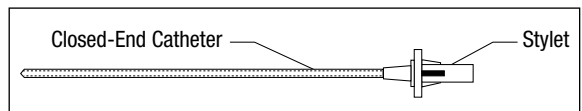
X-Ray Catheter (Cable Dummy Ribbon) 530
 Custom configuration and length available



Nylon Bronchial Catheter	Part #
1.7 mm O.D.	191
Sterile	791
1.8 mm O.D.	518
Sterile	1082
1.9 mm O.D.	192
Sterile	793
All catheters are available in custom lengths, with or without Cable/cable dummy ribbon	



Flexi-Needle
 Please refer to flexi-needles pages for Part numbers (pgs. 31-33)

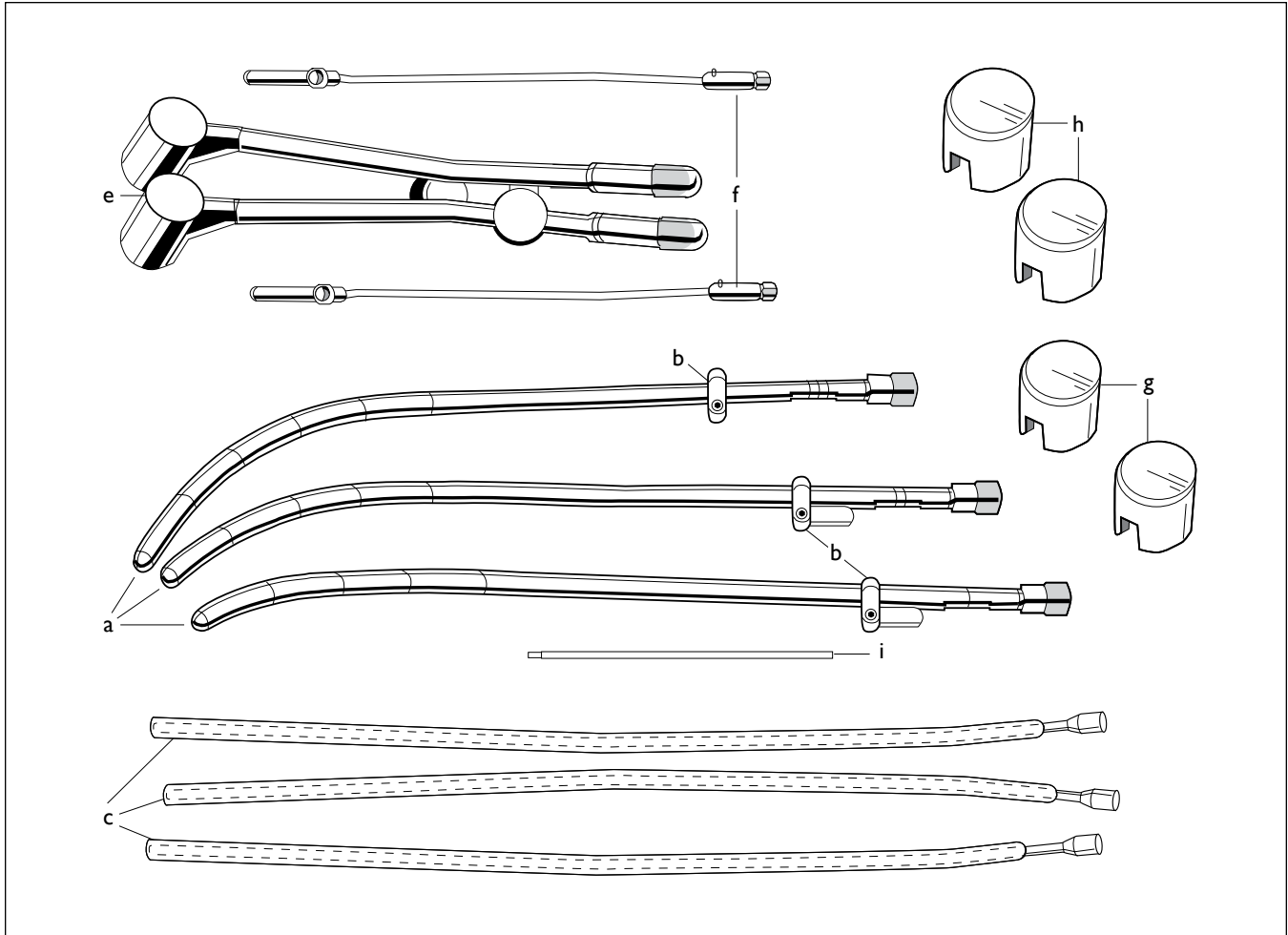


Best Medical International, Inc. 7643 Fullerton Road, Springfield, VA 22153 USA
 phone 703 451 2378 800 336 4970 fax 703 451 5228 www.bestmedical.com



Round-Handle Fletcher-Suit-Delclos Applicator Set (640R)

Part # 5005-0082



Set contains:

- | | |
|---|---|
| a) 3 Central Tandems | e) 1 Pair Colpostat w |
| b) 3 Cervical Stops (1 with flag, 2 without flag) | f) 2 Bucket Type Source Carriers |
| c) 3 Plastic Tandems and Pushers | g) 1 Pair Nylon Caps 2.5 cm Diameter for Ovoids |
| d) 1 Storage/Sterilization Tray (not shown) | h) 1 Pair Nylon Caps 3.0 cm Diameter for Ovoids |
| | i) 1 Allen Wrench |

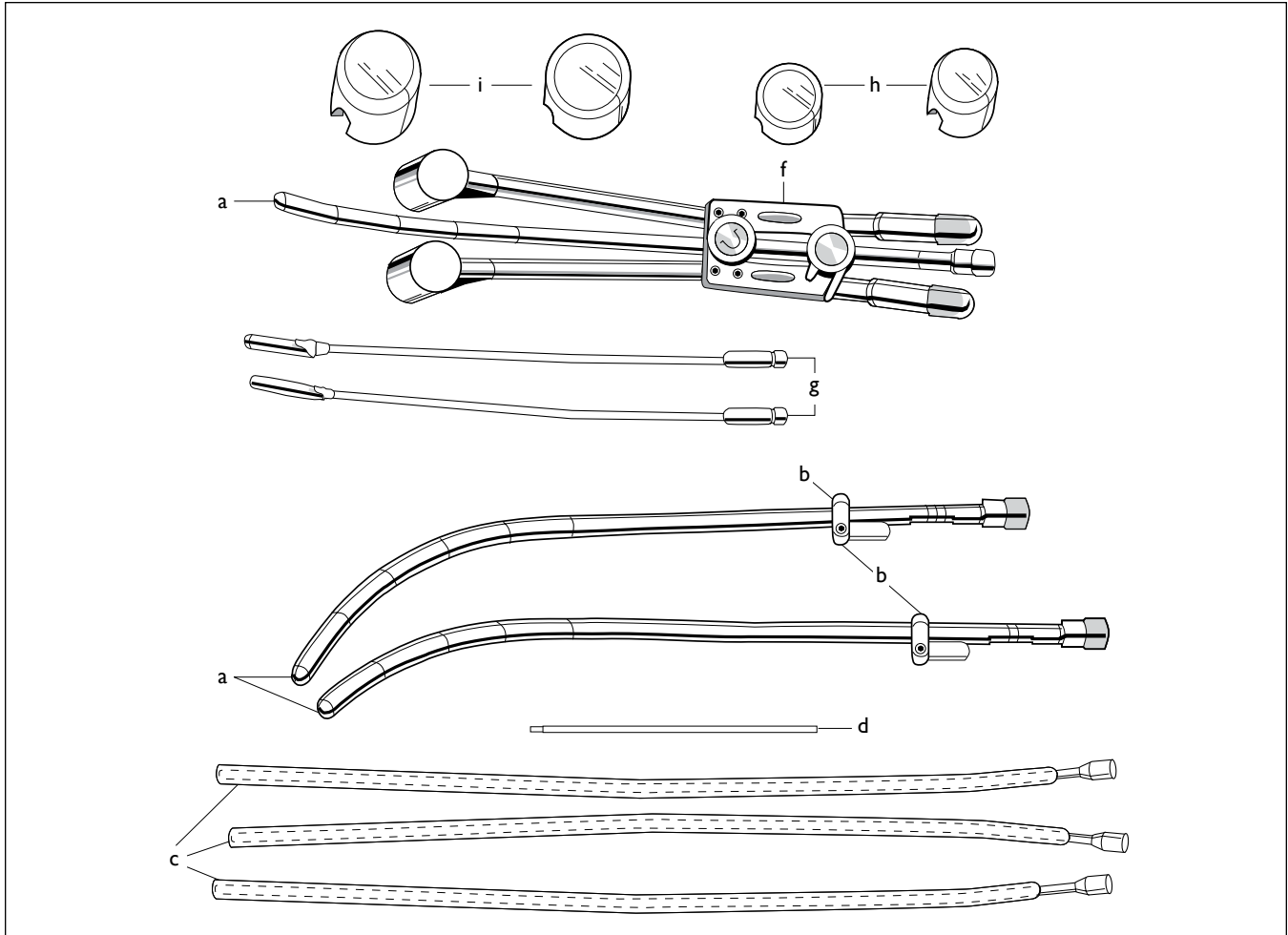
CAUTION: This product should be carefully inspected by your staff prior to clinical use and should be used by authorized personnel only.

Best Medical International, Inc. 7643 Fullerton Road, Springfield, VA 22153 USA
phone 703 451 2378 800 336 4970 fax 703 451 5228 www.bestmedical.com


Best[®]
healthcare for everyone

Round Handle Fletcher-Suit-Delclos Applicator Set with Bracket (640RB)

Part # 5005-0083



Set contains:

- | | |
|---|--|
| a) 3 Central Tandems | f) 1 Pair Colpostat with Bracket (to hold central tandem along with colpostat and also to separate the ovoids) |
| b) 3 Cervical Stops (1 with flag, 2 without flag) | g) 1 Pair Bucket Type Source Carriers |
| c) 3 Plastic Tandems and Pushers | h) 1 Pair Nylon Caps 2.5 cm Diameter for Ovoids |
| d) 2 Allen Wrenches | i) 1 Pair Nylon Caps 3.0 cm Diameter for Ovoids |
| e) 1 Storage/Sterilization Tray (not shown) | |



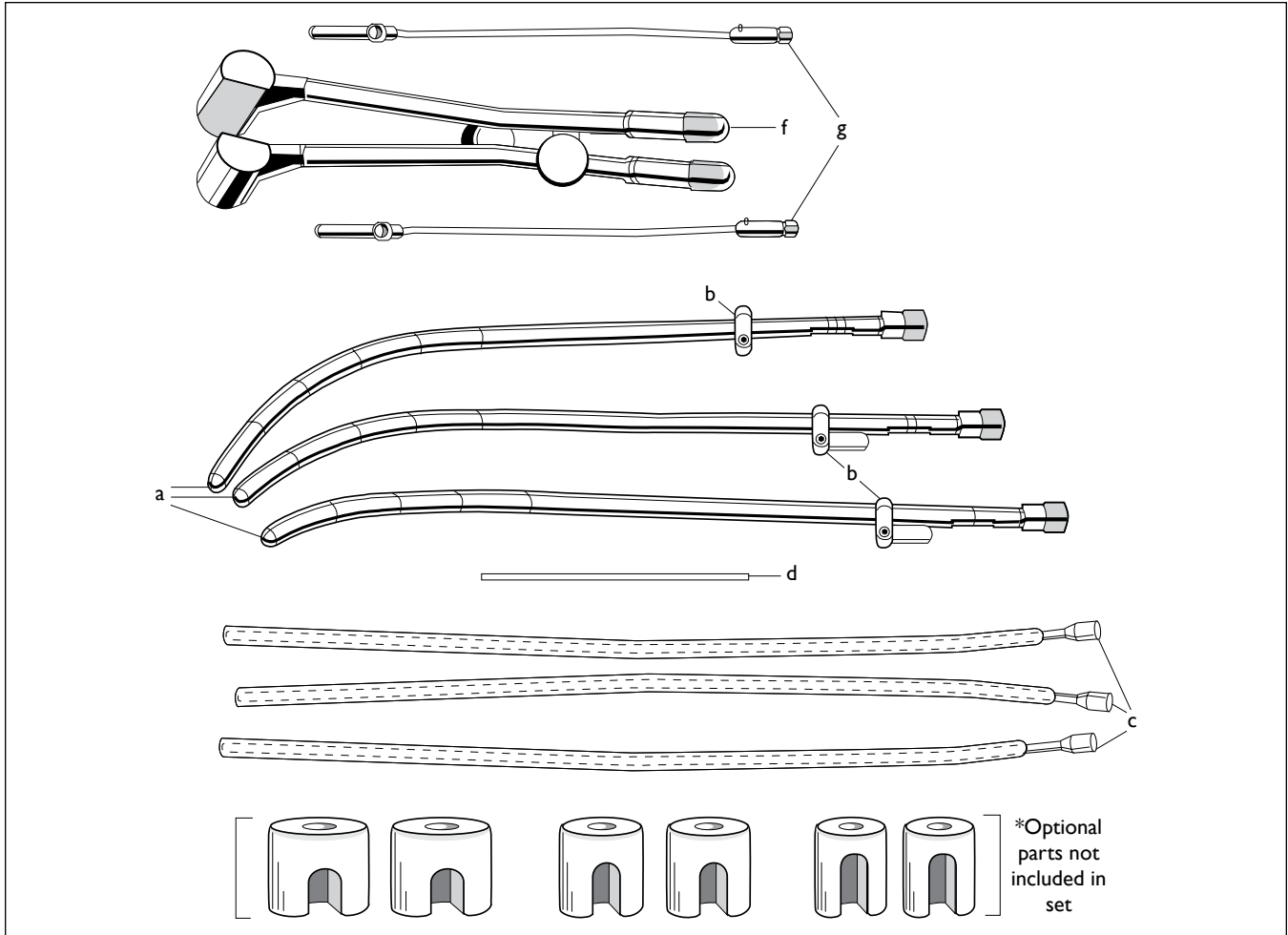
CAUTION: This product should be carefully inspected by your staff prior to clinical use and should be used by authorized personnel only.

Best Medical International, Inc. 7643 Fullerton Road, Springfield, VA 22153 USA
phone 703 451 2378 800 336 4970 fax 703 451 5228 www.bestmedical.com


Best[®]
healthcare for everyone

Fletcher-Suit-Delclos Mini-Ovoid Applicator Set (640M)

Part # 5005-0084



Set contains:

- | | |
|---|---|
| a) 3 Central Tandems | e) 1 Storage/Sterilization Tray (not shown) |
| b) 3 Cervical Stops (1 with flag, 2 without flag) | f) 1 Pair Colpostat |
| c) 3 Plastic Tandems and Pushers | g) 2 Bucket Type Source Carriers |
| d) 1 Allen Wrench | |

***Optional: Shielded Caps 2 cm Dia., 2.5 cm Dia., 3 cm Dia.**



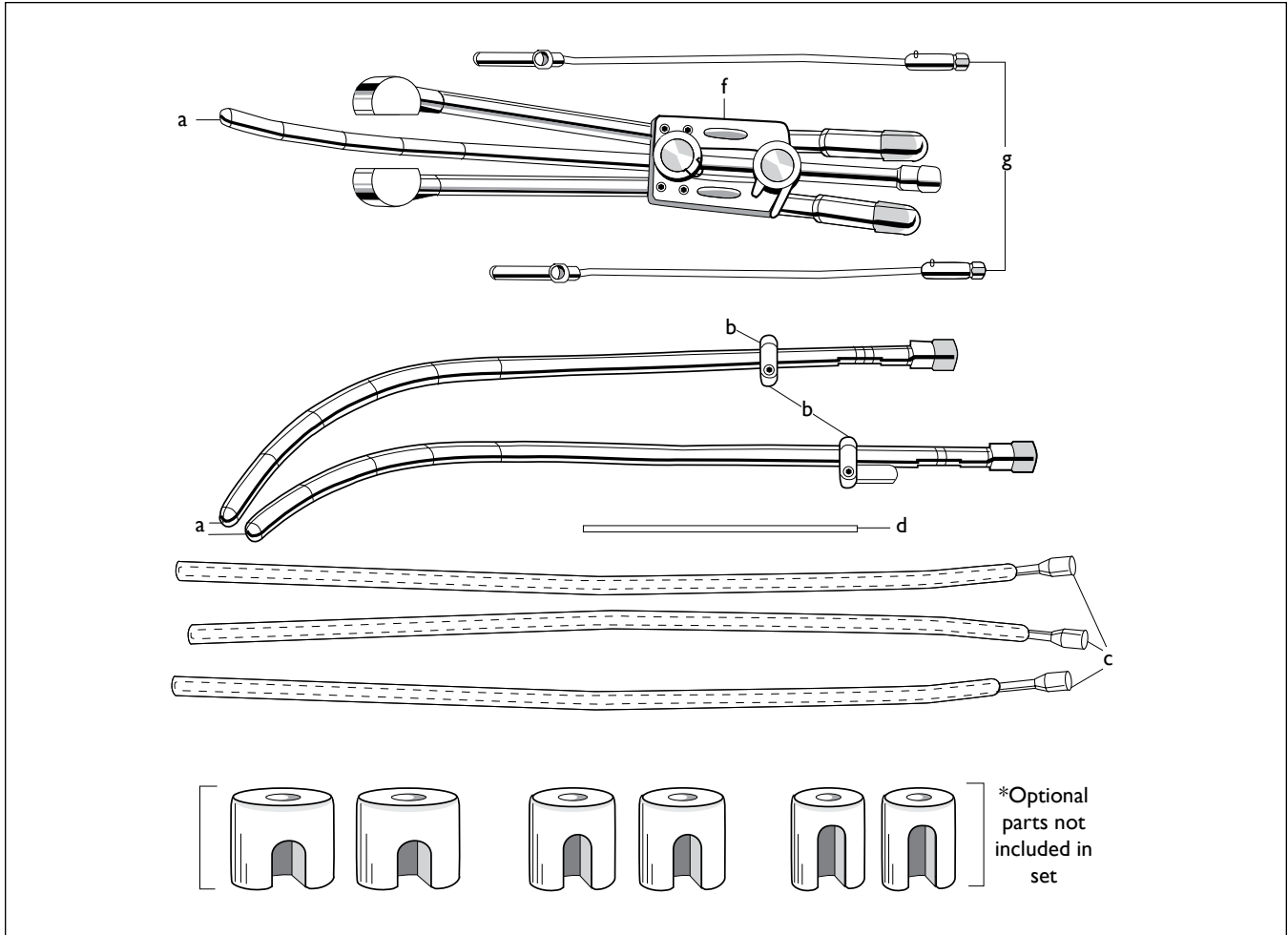
CAUTION: This product should be carefully inspected by your staff prior to clinical use and should be used by authorized personnel only.

Best Medical International, Inc. 7643 Fullerton Road, Springfield, VA 22153 USA
phone 703 451 2378 800 336 4970 fax 703 451 5228 www.bestmedical.com


Best[®]
healthcare for everyone

Delclos Mini-Ovoid Applicator Set with Bracket Assembly (640MRB)

Part # 5005-0085



Set contains:

- | | |
|---|---|
| a) 3 Central Tandems | e) 1 Storage/Sterilization Tray (not shown) |
| b) 3 Cervical Stops (1 with flag, 2 without flag) | f) 1 Pair Colpostat with Bracket |
| c) 3 Plastic Tandems and Pushers | g) 2 Bucket Type Source Carriers |
| d) 2 Allen Wrenches | |

***Optional: Shielded Caps 2 cm Dia., 2.5 cm Dia., 3 cm Dia.**



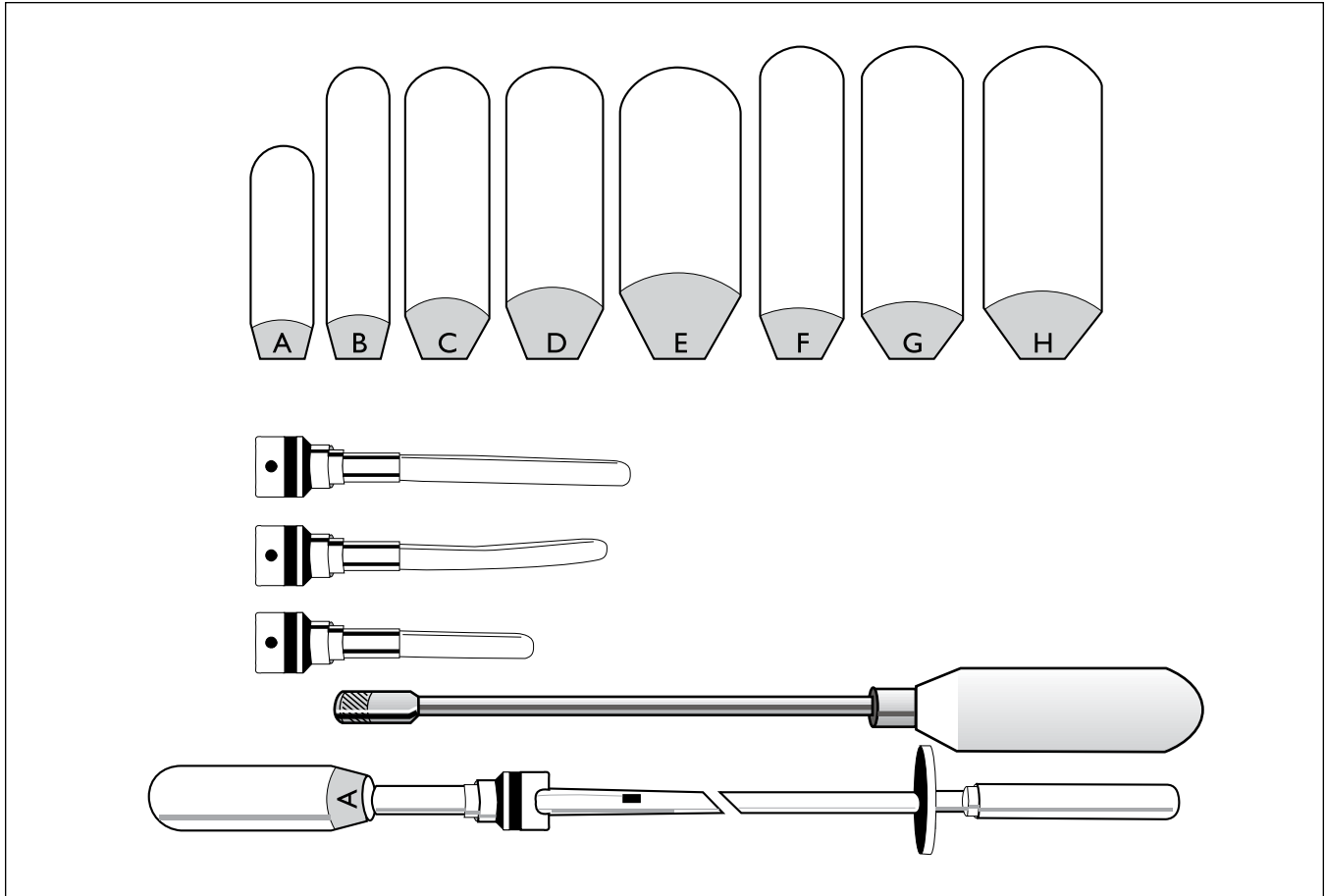
CAUTION: This product should be carefully inspected by your staff prior to clinical use and should be used by authorized personnel only.

Best Medical International, Inc. 7643 Fullerton Road, Springfield, VA 22153 USA
phone 703 451 2378 800 336 4970 fax 703 451 5228 www.bestmedical.com

Best[®]
healthcare for everyone

Burnett Afterload Vaginal Applicator (700A)

Part # 5005-0088



Set contains: Set of eight nylon cylinders, four plastic tandems with metal screws and special long handle (cap holder) and Tube Source Adapter Assembly arranged in a stainless steel tray.

External Dimensions of Cylinders:

A — 20 x 66 mm	E — 35 x 87 mm
B — 20 x 87 mm	F — 25 x 95 mm
C — 25 x 87 mm	G — 30 x 95 mm
D — 30 x 87 mm	H — 35 x 95 mm



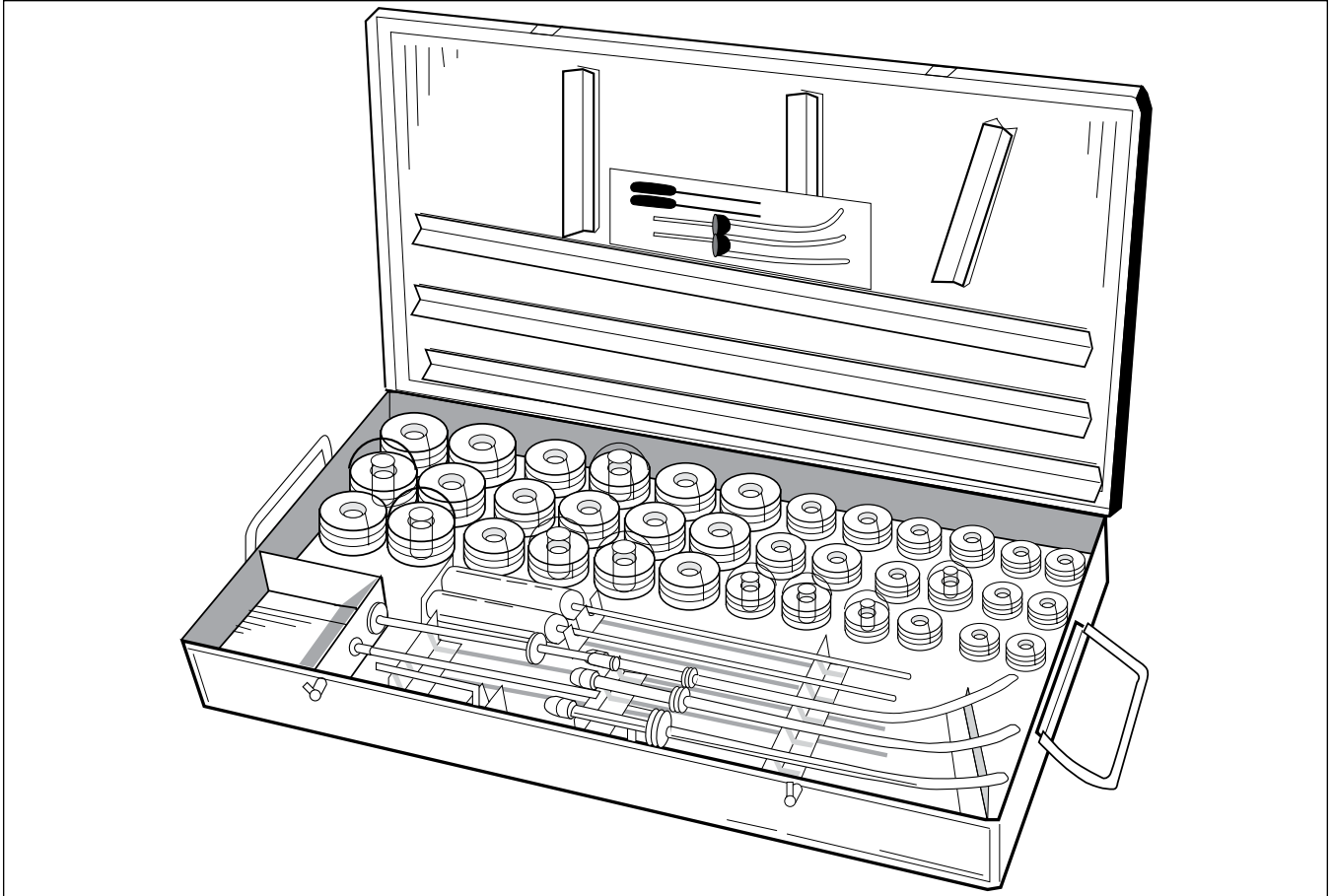
CAUTION: This product should be carefully inspected by your staff prior to clinical use and should be used by authorized personnel only.

Best Medical International, Inc. 7643 Fullerton Road, Springfield, VA 22153 USA
phone 703 451 2378 800 336 4970 fax 703 451 5228 www.bestmedical.com

Best[®]
healthcare for everyone

Delclos Uterine/Vaginal Afterloading Applicator and Dome Assembly (670)

Part # 5005-0089



Set contains:

- | | | | |
|---|--|---|---------------------------------------|
| 6 | Sets of Cylinders with Diameters 20 mm, 25 mm, 30 mm, 35 mm, 40 mm and 45 mm | 1 | Storage/Sterilization Tray |
| 6 | Domes (Matching Cylinder Diameters) | 1 | Standard Allen Wrench |
| 3 | Uterine Tandems | 1 | Extended Allen Wrench |
| 1 | Vaginal Tandem (Dome Assembly) | 1 | Cylinder Extractor |
| 1 | Vaginal Tandem (With a Flat End) | 3 | Standard and 2 Flanged Cervical Stops |
| | | 4 | Plastic Tandem and Pushers |



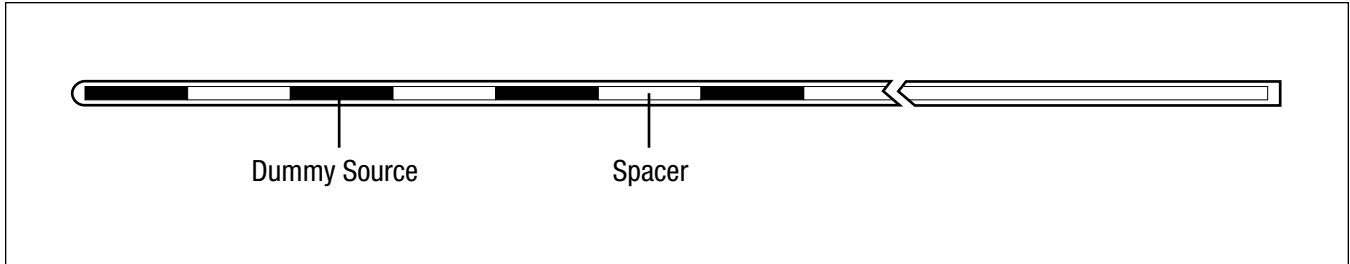
CAUTION: This product should be carefully inspected by your staff prior to clinical use and should be used by authorized personnel only.

Best Medical International, Inc. 7643 Fullerton Road, Springfield, VA 22153 USA
phone 703 451 2378 800 336 4970 fax 703 451 5228 www.bestmedical.com


Best[®]
healthcare for everyone

Dummy Sources – [Cesium]

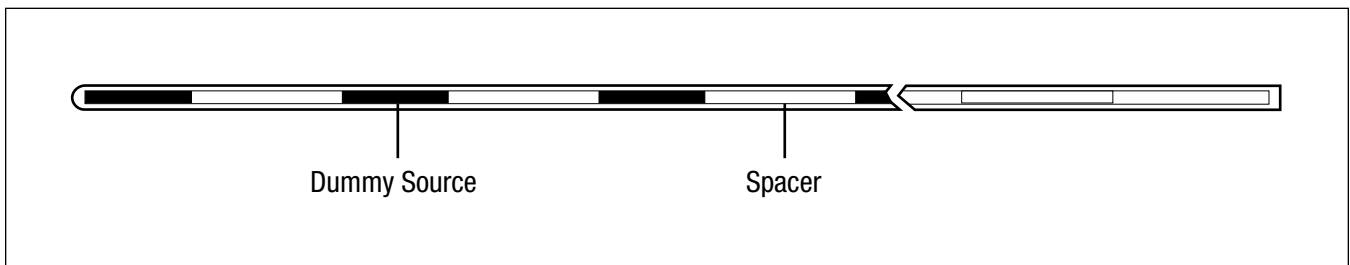
Part # 513-1



These are Dummy Tungsten Sources with a length of 20 mm and a diameter of 3 mm to simulate Cesium sources, arranged with 20 mm long spacers in a plastic tube so as to load conveniently in a central tandem. Because of the high density of Tungsten a better Radiograph is obtained. Custom arrangements of these sources are available.

Four (4) Cesium Dummy Sources Arranged in a Plastic Tube.

Part # 513-2



Instead of total length of 20 mm, active length of 14 mm also could be used for loading in plastic tube. Custom arrangements of these are available.

Also Available: Cesium Dummy Sources for 3M Sources
Cesium Dummy Sources for Amersham Sources

Other Custom Loadings Available.

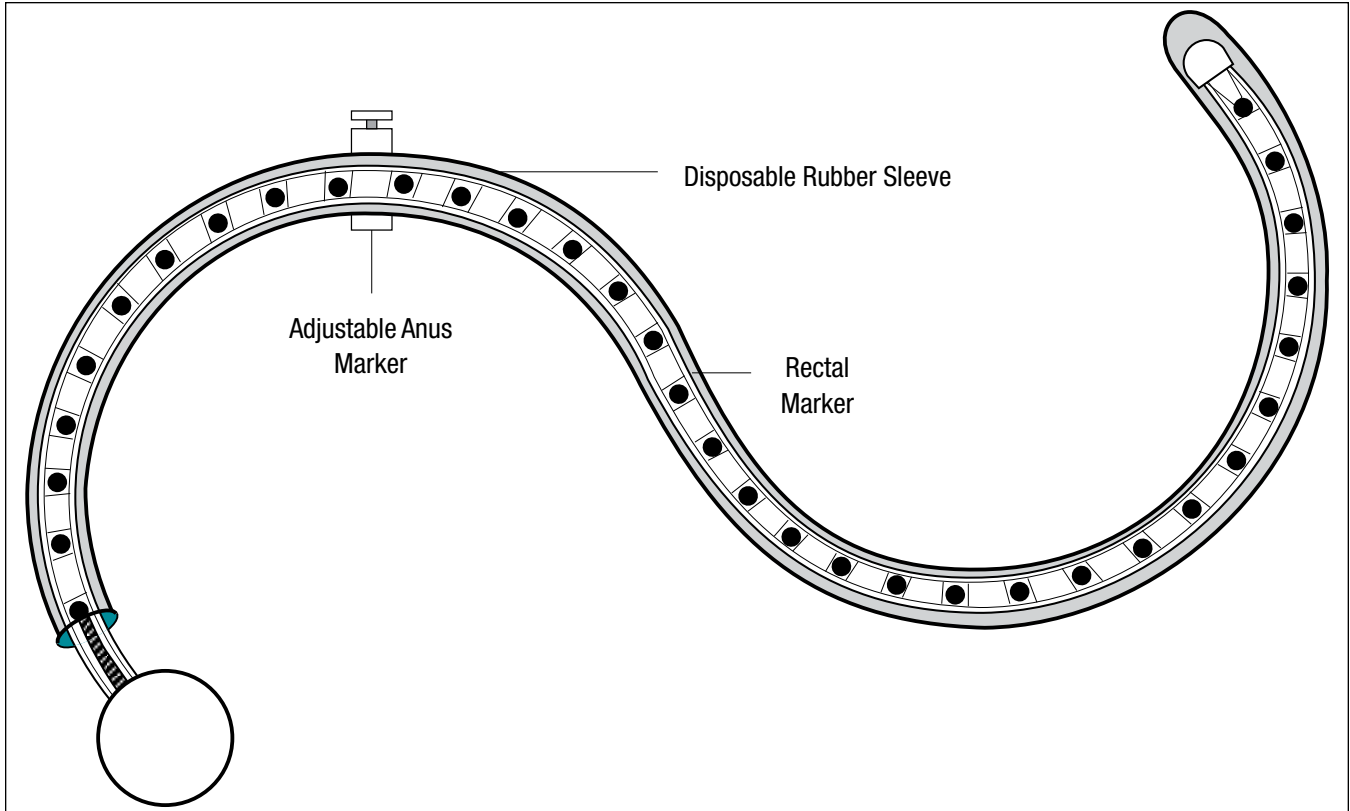


Best Medical International, Inc. 7643 Fullerton Road, Springfield, VA 22153 USA
phone 703 451 2378 800 336 4970 fax 703 451 5228 www.bestmedical.com


Best[®]
healthcare for everyone

Rectal Marker Kit with Anus Marker

Part # 222-1; 222-2 (see below)



The Rectal Marker is a device generally used with localization fields on intracavitary (intrauterine-vaginal) applications or bladder external beam localizations.

With the old method of using a soldering or other type wire, one could only obtain the position of the rectum. But, with the Rectal Marker, it is now possible to obtain both position of rectum and magnification, which allows you to determine accurately the rectal distance from the radiation source.

Also Available: Disposable Rubber Sleeves for this product: Part # 1072-0009.

Rectal Marker is available with Stainless Steel Ball..... Part # 222-1 Tungsten Ball Part # 222-2
Sterile Stainless Steel..... Part # 960-1 Sterile Tungsten ... Part # 960-2



CAUTION: This product should be carefully inspected by your staff prior to clinical use and should be used by authorized personnel only.

Best Medical International, Inc. 7643 Fullerton Road, Springfield, VA 22153 USA
phone 703 451 2378 800 336 4970 fax 703 451 5228 www.bestmedical.com



Anderson Marker Kit

Part # 1074-0002



Kit contains a 25 cm long implanter (designed to limit implantation to 1cm) and 10 stainless steel markers. The markers are easily identified on visualization films and also aid in treatment planning.

Markers—Part # 179-1: additional markers sold by vials (each vial contains 50 markers)

Adjustable Marker Kit

Part # 1074-0011



Kit contains a 20 cm long implanter with adjustable stop, one spare needle, one Allen wrench and 10 stainless steel markers.

Markers—Part # 179-1: additional markers sold by vials (each vial contains 50 markers)



NOTE: Gold markers (Part # 351) are also available to use with Anderson Marker Kit or Adjustable Marker Kit

CAUTION: This product should be carefully inspected by your staff prior to clinical use and should be used by authorized personnel only.

Best Medical International, Inc. 7643 Fullerton Road, Springfield, VA 22153 USA
phone 703 451 2378 800 336 4970 fax 703 451 5228 www.bestmedical.com


Best[®]
healthcare for everyone

Marker Kit

Gold fiducial markers

Accurate localization for soft tissue targets



Sterile Kit with 5 Markers (Loose)



Sterile Kit of 4 Needles with Marker in Each



Sterile Kit with Single Marker in Needle



Best Medical's gold markers are available in a variety of diameters and lengths to meet your needs for soft tissue localization such as prostate, liver, pancreas, lung, and breast.

- Best® gold markers are available now in tissue-absorbable strands (patent pending)
- Standard strand consists of two markers at 2 cm apart center to center
- Special marker strands with custom spacing are also available

Diameters	Varying Lengths
0.8 mm	1.5 mm
	3 mm
	5 mm
1.0 mm	7 mm
	1.5 mm
	3 mm
1.2 mm	5 mm
	7 mm
	3 mm
	5 mm

Best® Fiducial Marker Kit

Best® Gold Markers



- Excellent visualization under X-ray, Fluoro, CT, MRI, Ultrasound and other imaging modalities
- Sold individually, stranded, and in pre-loaded, pre-sterilized needle sets
- Can be used for brachytherapy, IMRT and IGRT

Best Medical International, Inc. 7643 Fullerton Road, Springfield, VA 22153 USA
 phone 703 451 2378 800 336 4970 fax 703 451 5228 www.bestmedical.com



Sterile Gold Marker Kits and Radiopaque Strands

Part Number	Description
Sterile Gold Markers With Forceps	
782-1	0.8 mm diameter, 3 mm long (5 markers)
782-2	0.8 mm diameter, 5 mm long (5 markers)
782-3	0.8 mm diameter, 7 mm long (5 markers)
782-4	0.8 mm diameter, 10 mm long (5 markers)
784-1	1.0 mm diameter, 3 mm long (5 markers)
784-2	1.0 mm diameter, 5 mm long (5 markers)
784-3	1.0 mm diameter, 7 mm long (5 markers)
784-4	1.0 mm diameter, 10 mm long (5 markers)
785-1	1.2 mm diameter, 3 mm long (5 markers)
785-2	1.2 mm diameter, 5 mm long (5 markers)
785-3	1.2 mm diameter, 7 mm long (5 markers)
785-4	1.2 mm diameter, 10 mm long (5 markers)

Part Number	Description
Sterile Fiducial Marker Kit (1 per pack), 18 gauge, 10 cm Long Needle (0.8 mm OD)	
1323-1	18 gauge, 10 cm long Pre-waxed needle (1) preloaded with 0.8 mm OD, 3 mm long gold marker (1)
1323-2	18 gauge, 10 cm long Pre-waxed needle (1) preloaded with 0.8 mm OD, 5 mm long gold marker (1)
1323-3	18 gauge, 10 cm long Pre-waxed needle (1) preloaded with 0.8 mm OD, 7 mm long gold marker (1)
1323-4	18 gauge, 10 cm long Pre-waxed needle (1) preloaded with 0.8 mm OD, 10 mm long gold marker (1)
1323-5	18 gauge, 10 cm long Pre-waxed needle (1) preloaded with 0.8 mm OD, 1.5 mm long gold marker (1)
Sterile Fiducial Marker Kit (2 per pack), 18 gauge, 10cm Long Needle (0.8 mm OD)	
1428-1	18 gauge, 10 cm long Pre-waxed needle (2) preloaded with 0.8 mm OD, 3 mm long gold marker (1)
1428-2	18 gauge, 10 cm long Pre-waxed needle (2) preloaded with 0.8 mm OD, 5 mm long gold marker (1)
1428-3	18 gauge, 10 cm long Pre-waxed needle (2) preloaded with 0.8 mm OD, 7 mm long gold marker (1)
1428-4	18 gauge, 10 cm long Pre-waxed needle (2) preloaded with 0.8 mm OD, 10 mm long gold marker (1)
1428-5	18 gauge, 10 cm long Pre-waxed needle (2) preloaded with 0.8 mm OD, 1.5 mm long gold marker (1)

Best Medical International, Inc. 7643 Fullerton Road, Springfield, VA 22153 USA
 phone 703 451 2378 800 336 4970 fax 703 451 5228 www.bestmedical.com



Sterile Gold Marker Kits and Radiopaque Strands—continued

Part Number	Description
	Sterile Fiducial Marker Kit (3 per pack), 18 gauge, 10 cm Long Needle (0.8 mm OD)
1325-1	18 gauge, 10 cm long Pre-waxed needles (3) preloaded with 0.8mm OD, 3 mm long gold marker (1)
1325-2	18 gauge, 10 cm long Pre-waxed needles (3) preloaded with 0.8 mm OD, 5 mm long gold marker (1)
1325-3	18 gauge, 10 cm long Pre-waxed needles (3) preloaded with 0.8 mm OD, 7 mm long gold marker (1)
1325-4	18 gauge, 10 cm long Pre-waxed needles (3) preloaded with 0.8 mm OD, 10 mm long gold marker (1)
1325-5	18 gauge, 10 cm long Pre-waxed needles (3) preloaded with 0.8 mm OD, 1.5 mm long gold marker (1)
	Sterile Fiducial Marker Kit (1 per pack), 18 gauge, 20 cm Long Needle (0.8 mm OD)
1004-1	18 gauge, 20 cm long Pre-waxed needle (1) preloaded with 0.8 OD, 3 mm long gold marker (1)
1004-2	18 gauge, 20 cm long Pre-waxed needle (1) preloaded with 0.8 OD, 5 mm long gold marker (1)
1004-3	18 gauge, 20 cm long Pre-waxed needle (1) preloaded with 0.8 OD, 7 mm long gold marker (1)
1004-4	18 gauge, 20 cm long Pre-waxed needle (1) preloaded with 0.8 OD, 10 mm long gold marker (1)
	Sterile Fiducial Marker Kit (2 per pack), 18 gauge, 20 cm Long Needle (0.8 mm OD)
1430-1	18 gauge, 20 cm long Pre-waxed needle (2) preloaded with 0.8 OD, 3 mm long gold marker (1)
1430-2	18 gauge, 20 cm long Pre-waxed needle (2) preloaded with 0.8 OD, 5 mm long gold marker (1)
1430-3	18 gauge, 20 cm long Pre-waxed needle (2) preloaded with 0.8 OD, 7 mm long gold marker (1)
1430-4	18 gauge, 20 cm long Pre-waxed needle (2) preloaded with 0.8 OD, 10 mm long gold marker (1)
	Sterile Fiducial Marker Kit (3 per pack), 18 gauge, 20 cm Long Needle (0.8 mm OD)
1017-1	18 gauge, 20 cm long Pre-waxed needles (3) preloaded with 0.8 mm OD, 3 mm long gold marker (1)
1017-2	18 gauge, 20 cm long Pre-waxed needles (3) preloaded with 0.8 mm OD, 5 mm long gold marker (1)
1017-3	18 gauge, 20 cm long Pre-waxed needles (3) preloaded with 0.8 mm OD, 7 mm long gold marker (1)
1017-4	18 gauge, 20 cm long Pre-waxed needles (3) preloaded with 0.8 mm OD, 10 mm long gold markers (1)
	Sterile Fiducial Marker Kit (4 per pack), 18 gauge, 20 cm Long Needle (0.8 mm OD)
1168-1	18 gauge, 20 cm long Pre-waxed needle (4) preloaded with 0.8 OD, 3 mm long gold marker (1)
1168-2	18 gauge, 20 cm long Pre-waxed needle (4) preloaded with 0.8 OD, 5 mm long gold marker (1)
1168-3	18 gauge, 20 cm long Pre-waxed needle (4) preloaded with 0.8 OD, 7 mm long gold marker (1)
1168-4	18 gauge, 20 cm long Pre-waxed needle (4) preloaded with 0.8 OD, 10 mm long gold marker (1)

Best Medical International, Inc. 7643 Fullerton Road, Springfield, VA 22153 USA
 phone 703 451 2378 800 336 4970 fax 703 451 5228 www.bestmedical.com



Part Number	Description
	Sterile Fiducial Marker Kit (1 per pack), 18 gauge, 10 cm Long Needle (1.0 mm OD)
1318-1	18 gauge, 10 cm long Pre-waxed needle (1) preloaded with 1.0 mm OD, 3 mm long gold marker (1)
1318-2	18 gauge, 10 cm long Pre-waxed needle (1) preloaded with 1.0 mm OD, 5 mm long gold marker (1)
1318-3	18 gauge, 10 cm long Pre-waxed needle (1) preloaded with 1.0 mm OD, 7 mm long gold marker (1)
1318-4	18 gauge, 10 cm long Pre-waxed needle (1) preloaded with 1.0 mm OD, 10 mm long gold marker (1)
	Sterile Fiducial Marker Kit (2 per pack), 18 gauge, 10 cm Long Needle (1.0 mm OD)
1432-1	18 gauge, 10 cm long Pre-waxed needle (2) preloaded with 1.0 mm OD, 3 mm long gold marker (1)
1432-2	18 gauge, 10 cm long Pre-waxed needle (2) preloaded with 1.0 mm OD, 5 mm long gold marker (1)
1432-3	18 gauge, 10 cm long Pre-waxed needle (2) preloaded with 1.0 mm OD, 7 mm long gold marker (1)
1432-4	18 gauge, 10 cm long Pre-waxed needle (2) preloaded with 1.0 mm OD, 10 mm long gold marker (1)
	Sterile Fiducial Marker Kit (3 per pack), 18 gauge, 10 cm Long Needle (1.0 mm OD)
1320-1	18 gauge, 10 cm long Pre-waxed needles (3) preloaded with 1.0 mm OD, 3 mm long gold marker (1)
1320-2	18 gauge, 10 cm long Pre-waxed needles (3) preloaded with 1.0 mm OD, 5 mm long gold marker (1)
1320-3	18 gauge, 10 cm long Pre-waxed needles (3) preloaded with 1.0 mm OD, 7 mm long gold marker (1)
1320-4	18 gauge, 10 cm long Pre-waxed needles (3) preloaded with 1.0 mm OD, 10 mm long gold marker (1)
	Sterile Fiducial Marker Kit (1 per pack), 18 gauge, 20 cm Long Needle (1.0 mm OD)
1008-1	18 gauge, 20 cm long Pre-waxed needle (1) preloaded with 1.0 mm OD, 3 mm long gold marker (1)
1008-2	18 gauge, 20 cm long Pre-waxed needle (1) preloaded with 1.0 mm OD, 5 mm long gold marker (1)
1008-3	18 gauge, 20 cm long Pre-waxed needle (1) preloaded with 1.0 mm OD, 7 mm long gold marker (1)
1008-4	18 gauge, 20 cm long Pre-waxed needle (1) preloaded with 1.0 mm OD, 10 mm long gold marker (1)
	Sterile Fiducial Marker Kit (2 per pack), 18 gauge, 20 cm Long Needle (1.0 mm OD)
1434-1	18 gauge, 20 cm long Pre-waxed needle (2) preloaded with 1.0 mm OD, 3 mm long gold marker (1)
1434-2	18 gauge, 20 cm long Pre-waxed needle (2) preloaded with 1.0 mm OD, 5 mm long gold marker (1)
1434-3	18 gauge, 20 cm long Pre-waxed needle (2) preloaded with 1.0 mm OD, 7 mm long gold marker (1)
1434-4	18 gauge, 20 cm long Pre-waxed needle (2) preloaded with 1.0 mm OD, 10 mm long gold marker (1)
	Sterile Fiducial Marker Kit (3 per pack), 18 gauge, 20 cm Long Needle (1.0 mm OD)
1019-1	18 gauge, 20 cm long Pre-waxed needles (3) preloaded with 1.0 mm OD, 3 mm long gold marker (1)
1019-2	18 gauge, 20 cm long Pre-waxed needles (3) preloaded with 1.0 mm OD, 5 mm long gold marker (1)
1019-3	18 gauge, 20 cm long Pre-waxed needles (3) preloaded with 1.0 mm OD, 7 mm long gold marker (1)
1019-4	18 gauge, 20 cm long Pre-waxed needles (3) preloaded with 1.0 mm OD, 10 mm long gold marker (1)

Best Medical International, Inc. 7643 Fullerton Road, Springfield, VA 22153 USA
 phone 703 451 2378 800 336 4970 fax 703 451 5228 www.bestmedical.com



Part Number	Description
	Sterile Fiducial Marker Kit (4 per pack), 18 gauge, 20 cm Long Needle (1.0 mm OD)
1170-1	18 gauge, 20 cm long Pre-waxed needles (4) preloaded with 1.0 mm OD, 3 mm long gold marker (1)
1170-2	18 gauge, 20 cm long Pre-waxed needles (4) preloaded with 1.0 mm OD, 5 mm long gold marker (1)
1170-3	18 gauge, 20 cm long Pre-waxed needles (4) preloaded with 1.0 mm OD, 7 mm long gold marker (1)
1170-4	18 gauge, 20 cm long Pre-waxed needles (4) preloaded with 1.0 mm OD, 10 mm long gold marker (1)
	Sterile Fiducial Marker Kit (1 per pack), 17 gauge, 20 cm Long Needle (1.2 mm OD)
1088-1	17 gauge, 20 cm long Pre-waxed needles (1) preloaded with 1.2 OD, 3 mm long gold marker (1)
1088-2	17 gauge, 20 cm long Pre-waxed needles (1) preloaded with 1.2 OD, 5 mm long gold marker (1)
1088-3	17 gauge, 20 cm long Pre-waxed needles (1) preloaded with 1.2 OD, 7 mm long gold marker (1)
1088-4	17 gauge, 20 cm long Pre-waxed needles (1) preloaded with 1.2 OD, 10 mm long gold marker (1)
	Sterile Fiducial Marker Kit (2 per pack), 17 gauge, 20 cm Long Needle (1.2 mm OD)
1436-1	17 gauge, 20 cm long Pre-waxed needles (2) preloaded with 1.2 OD, 3 mm long gold marker (1)
1436-2	17 gauge, 20 cm long Pre-waxed needles (2) preloaded with 1.2 OD, 5 mm long gold marker (1)
1436-3	17 gauge, 20 cm long Pre-waxed needles (2) preloaded with 1.2 OD, 7 mm long gold marker (1)
1436-4	17 gauge, 20 cm long Pre-waxed needles (2) preloaded with 1.2 OD, 10 mm long gold marker (1)
	Sterile Fiducial Marker Kit (3 per pack), 17 gauge, 20 cm Long Needle (1.2 mm OD)
1090-1	17 gauge, 20 cm long Pre-waxed needles (3) preloaded with 1.2 OD, 3 mm long gold marker (1)
1090-2	17 gauge, 20 cm long Pre-waxed needles (3) preloaded with 1.2 OD, 5 mm long gold marker (1)
1090-3	17 gauge, 20 cm long Pre-waxed needles (3) preloaded with 1.2 OD, 7 mm long gold marker (1)
1090-4	17 gauge, 20 cm long Pre-waxed needles (3) preloaded with 1.2 OD, 10 mm long gold marker (1)
	Sterile Fiducial Marker Kit (4 per pack), 17 gauge, 20 cm Long Needle (1.2 mm OD)
1172-1	17 gauge, 20 cm long Pre-waxed needles (4) preloaded with 1.2 OD, 3 mm long gold marker (1)
1172-2	17 gauge, 20 cm long Pre-waxed needles (4) preloaded with 1.2 OD, 5 mm long gold marker (1)
1172-3	17 gauge, 20 cm long Pre-waxed needles (4) preloaded with 1.2 OD, 7 mm long gold marker (1)
1172-4	17 gauge, 20 cm long Pre-waxed needles (4) preloaded with 1.2 OD, 10 mm long gold marker (1)
	Sterile Fiducial Marker Kit (1 per pack), 17 gauge, 30 cm Long Needle (1.2 mm OD)
1031-1	17 gauge, 30 cm long Pre-waxed needles (1) preloaded with 1.2 OD, 3 mm long gold marker (1)
1031-2	17 gauge, 30 cm long Pre-waxed needles (1) preloaded with 1.2 OD, 5 mm long gold marker (1)
1031-3	17 gauge, 30 cm long Pre-waxed needles (1) preloaded with 1.2 OD, 7 mm long gold marker (1)
1031-4	17 gauge, 30 cm long Pre-waxed needles (1) preloaded with 1.2 OD, 10 mm long gold marker (1)

Best Medical International, Inc. 7643 Fullerton Road, Springfield, VA 22153 USA
 phone 703 451 2378 800 336 4970 fax 703 451 5228 www.bestmedical.com



Part Number	Description
	Sterile Fiducial Marker Kit (2 per pack), 17 gauge, 30 cm Long Needle (1.2 mm OD)
1438-1	17 gauge, 30 cm long Pre-waxed needles (2) preloaded with 1.2 OD, 3 mm long gold marker (1)
1438-2	17 gauge, 30 cm long Pre-waxed needles (2) preloaded with 1.2 OD, 5 mm long gold marker (1)
1438-3	17 gauge, 30 cm long Pre-waxed needles (2) preloaded with 1.2 OD, 7 mm long gold marker (1)
1438-4	17 gauge, 30 cm long Pre-waxed needles (2) preloaded with 1.2 OD, 10 mm long gold marker (1)
	Sterile Fiducial Marker Kit (3 per pack), 17 gauge, 30 cm Long Needle (1.2 mm OD)
1033-1	17 gauge, 30 cm long Pre-waxed needles (3) preloaded with 1.2 OD, 3 mm long gold marker (1)
1033-2	17 gauge, 30 cm long Pre-waxed needles (3) preloaded with 1.2 OD, 5 mm long gold marker (1)
1033-3	17 gauge, 30 cm long Pre-waxed needles (3) preloaded with 1.2 OD, 7 mm long gold marker (1)
1033-4	17 gauge, 30 cm long Pre-waxed needles (3) preloaded with 1.2 OD, 10 mm long gold marker (1)
	Sterile Radiopaque Marker Strand (1 per pack), 18 gauge, 10 cm Long Needle (0.8 mm OD)
1293-1-X	18 gauge, 10 cm long Pre-waxed needles (1) preloaded with absorbable strand enclosing 0.8 mm OD, 3 mm long gold marker
1293-2-X	18 gauge, 10 cm long Pre-waxed needles (1) preloaded with absorbable strand enclosing 0.8 mm OD, 5 mm long gold marker
1293-3-X	18 gauge, 10 cm long Pre-waxed needles (1) preloaded with absorbable strand enclosing 0.8 mm OD, 7 mm long gold marker
1293-4-X	18 gauge, 10 cm long Pre-waxed needles (1) preloaded with absorbable strand enclosing 0.8 mm OD, 10 mm long gold marker
	Sterile Radiopaque Marker Strand (2 per pack), 18 gauge, 10 cm Long Needle (0.8 mm OD)
1440-1-X	18 gauge, 10 cm long Pre-waxed needles (2) preloaded with absorbable strand enclosing 0.8 mm OD, 3 mm long gold marker
1440-2-X	18 gauge, 10 cm long Pre-waxed needles (2) preloaded with absorbable strand enclosing 0.8 mm OD, 5 mm long gold marker
1440-3-X	18 gauge, 10 cm long Pre-waxed needles (2) preloaded with absorbable strand enclosing 0.8 mm OD, 7 mm long gold marker
1440-4-X	18 gauge, 10 cm long Pre-waxed needles (2) preloaded with absorbable strand enclosing 0.8 mm OD, 10 mm long gold marker
	Sterile Radiopaque Marker Strand (3 per pack), 18 gauge, 10 cm Long Needle (0.8 mm OD)
1295-1-X	18 gauge, 10 cm long Pre-waxed needles (3) preloaded with absorbable strand enclosing 0.8 mm OD, 3 mm long gold marker
1295-2-X	18 gauge, 10 cm long Pre-waxed needles (3) preloaded with absorbable strand enclosing 0.8 mm OD, 5 mm long gold marker
1295-3-X	18 gauge, 10 cm long Pre-waxed needles (3) preloaded with absorbable strand enclosing 0.8 mm OD, 7 mm long gold marker
1295-4-X	18 gauge, 10 cm long Pre-waxed needles (3) preloaded with absorbable strand enclosing 0.8 mm OD, 10 mm long gold marker

Best Medical International, Inc. 7643 Fullerton Road, Springfield, VA 22153 USA
 phone 703 451 2378 800 336 4970 fax 703 451 5228 www.bestmedical.com



Part Number	Description
	Sterile Radiopaque Marker Strand (1 per pack), 18 gauge, 20 cm Long Needle (0.8 mm OD)
1013-1-X	18 gauge, 20 cm long Pre-waxed needles (1) preloaded with absorbable strand enclosing 0.8 mm OD, 3 mm long gold marker
1013-2-X	18 gauge, 20 cm long Pre-waxed needles (1) preloaded with absorbable strand enclosing 0.8 mm OD, 5 mm long gold marker
1013-3-X	18 gauge, 20 cm long Pre-waxed needles (1) preloaded with absorbable strand enclosing 0.8 mm OD, 7 mm long gold marker
1013-4-X	18 gauge, 20 cm long Pre-waxed needles (1) preloaded with absorbable strand enclosing 0.8 mm OD, 10 mm long gold marker
	Sterile Radiopaque Marker Strand (2 per pack), 18 gauge, 20 cm Long Needle (0.8 mm OD)
1442-1-X	18 gauge, 20 cm long Pre-waxed needles (2) preloaded with absorbable strand enclosing 0.8 mm OD, 3 mm long gold marker
1442-2-X	18 gauge, 20 cm long Pre-waxed needles (2) preloaded with absorbable strand enclosing 0.8 mm OD, 5 mm long gold marker
1442-3-X	18 gauge, 20 cm long Pre-waxed needles (2) preloaded with absorbable strand enclosing 0.8 mm OD, 7 mm long gold marker
1442-4-X	18 gauge, 20 cm long Pre-waxed needles (2) preloaded with absorbable strand enclosing 0.8 mm OD, 10 mm long gold marker
	Sterile Radiopaque Marker Strand (3 per pack), 18 gauge, 20 cm Long Needle (0.8 mm OD)
1015-1-X	18 gauge, 20 cm long Pre-waxed needles (3) preloaded with absorbable strand enclosing 0.8 mm OD, 3 mm long gold marker
1015-2-X	18 gauge, 20 cm long Pre-waxed needles (3) preloaded with absorbable strand enclosing 0.8 mm OD, 5 mm long gold marker
1015-3-X	17 gauge, 20 cm long Pre-waxed needles (3) preloaded with absorbable strand enclosing 0.8 mm OD, 7 mm long gold marker
1015-4-X	17 gauge, 20 cm long Pre-waxed needles (3) preloaded with absorbable strand enclosing 0.8 mm OD, 10 mm long gold marker
	Sterile Radiopaque Marker Strand (1 per pack), 17 gauge, 30 cm Long Needle (0.8 mm OD)
1130-1-X	17 gauge, 30 cm long Pre-waxed needles (1) preloaded with absorbable strand enclosing 0.8 mm OD, 3 mm long gold marker
1130-2-X	17 gauge, 30 cm long Pre-waxed needles (1) preloaded with absorbable strand enclosing 0.8 mm OD, 5 mm long gold marker
1130-3-X	17 gauge, 30 cm long Pre-waxed needles (1) preloaded with absorbable strand enclosing 0.8 mm OD, 7 mm long gold marker
1130-4-X	17 gauge, 30 cm long Pre-waxed needles (1) preloaded with absorbable strand enclosing 0.8 mm OD, 10 mm long gold marker
	Sterile Radiopaque Marker Strand (2 per pack), 17 gauge, 30 cm Long Needle (0.8 mm OD)
1444-1-X	17 gauge, 30 cm long Pre-waxed needles (2) preloaded with absorbable strand enclosing 0.8 mm OD, 3 mm long gold marker
1444-2-X	17 gauge, 30 cm long Pre-waxed needles (2) preloaded with absorbable strand enclosing 0.8 mm OD, 5 mm long gold marker

Best Medical International, Inc. 7643 Fullerton Road, Springfield, VA 22153 USA
 phone 703 451 2378 800 336 4970 fax 703 451 5228 www.bestmedical.com



Part Number	Description
1444-3-X	17 gauge, 30 cm long Pre-waxed needles (2) preloaded with absorbable strand enclosing 0.8 mm OD, 7 mm long gold marker
1444-4-X	17 gauge, 30 cm long Pre-waxed needles (2) preloaded with absorbable strand enclosing 0.8 mm OD, 10 mm long gold marker
	Sterile Radiopaque Marker Strand (3 per pack), 17 gauge, 30 cm Long Needle (0.8 mm OD)
1132-1-X	17 gauge, 30 cm long Pre-waxed needles (3) preloaded with absorbable strand enclosing 0.8 mm OD, 3 mm long gold marker
1132-2-X	17 gauge, 30 cm long Pre-waxed needles (3) preloaded with absorbable strand enclosing 0.8 mm OD, 5 mm long gold marker
1132-3-X	17 gauge, 30 cm long Pre-waxed needles (3) preloaded with absorbable strand enclosing 0.8 mm OD, 7 mm long gold marker
1132-4-X	17 gauge, 30 cm long Pre-waxed needles (3) preloaded with absorbable strand enclosing 0.8 mm OD, 10 mm long gold marker
	Sterile Radiopaque Marker Strand (1 per pack), 17 gauge, 10 cm Long Needle (1.0 mm OD)
1357-1-X	17 gauge, 10 cm long Pre-waxed needles (1) preloaded with absorbable strand enclosing 1.0 mm OD, 3 mm long gold marker
1357-2-X	17 gauge, 10 cm long Pre-waxed needles (1) preloaded with absorbable strand enclosing 1.0 mm OD, 5 mm long gold marker
1357-3-X	17 gauge, 10 cm long Pre-waxed needles (1) preloaded with absorbable strand enclosing 1.0 mm OD, 7 mm long gold marker
1357-4-X	17 gauge, 10 cm long Pre-waxed needles (1) preloaded with absorbable strand enclosing 1.0 mm OD, 10 mm long gold marker
1357-5-X	17 gauge, 10 cm long Pre-waxed needles (1) preloaded with absorbable strand enclosing 1.0 mm OD, 1.5 mm long gold marker
	Sterile Radiopaque Marker Strand (2 per pack), 17 gauge, 10 cm Long Needle (1.0 mm OD)
1446-1-X	17 gauge, 10 cm long Pre-waxed needles (2) preloaded with absorbable strand enclosing 1.0 mm OD, 3 mm long gold marker
1446-2-X	17 gauge, 10 cm long Pre-waxed needles (2) preloaded with absorbable strand enclosing 1.0 mm OD, 5 mm long gold marker
1446-3-X	17 gauge, 10 cm long Pre-waxed needles (2) preloaded with absorbable strand enclosing 1.0 mm OD, 7 mm long gold marker
1446-4-X	17 gauge, 10 cm long Pre-waxed needles (2) preloaded with absorbable strand enclosing 1.0 mm OD, 10 mm long gold marker
1446-5-X	17 gauge, 10 cm long Pre-waxed needles (2) preloaded with absorbable strand enclosing 1.0 mm OD, 1.5 mm long gold marker
	Sterile Radiopaque Marker Strand (3 per pack), 17 gauge, 10 cm Long Needle (1.0 mm OD)
1359-1-X	17 gauge, 10 cm long Pre-waxed needles (3) preloaded with absorbable strand enclosing 1.0 mm OD, 3 mm long gold marker
1359-2-X	17 gauge, 10 cm long Pre-waxed needles (3) preloaded with absorbable strand enclosing 1.0 mm OD, 5 mm long gold marker

Best Medical International, Inc. 7643 Fullerton Road, Springfield, VA 22153 USA
 phone 703 451 2378 800 336 4970 fax 703 451 5228 www.bestmedical.com



Part Number	Description
1359-3-X	17 gauge, 10 cm long Pre-waxed needles (3) preloaded with absorbable strand enclosing 1.0 mm OD, 7 mm long gold marker
1359-4-X	17 gauge, 10 cm long Pre-waxed needles (3) preloaded with absorbable strand enclosing 1.0 mm OD, 10 mm long gold marker
1359-5-X	17 gauge, 10 cm long Pre-waxed needles (3) preloaded with absorbable strand enclosing 1.0 mm OD, 1.5 mm long gold marker
Sterile Radiopaque Marker Strand (1 per pack), 17 gauge, 20 cm Long Needle (1.0 mm OD)	
1268-1-X	17 gauge, 20 cm long Pre-waxed needles (1) preloaded with absorbable strand enclosing 1.0 mm OD, 3 mm long gold marker
1268-2-X	17 gauge, 20 cm long Pre-waxed needles (1) preloaded with absorbable strand enclosing 1.0 mm OD, 5 mm long gold marker
1268-3-X	17 gauge, 20 cm long Pre-waxed needles (1) preloaded with absorbable strand enclosing 1.0 mm OD, 7 mm long gold marker
1268-4-X	17 gauge, 20 cm long Pre-waxed needles (1) preloaded with absorbable strand enclosing 1.0 mm OD, 10 mm long gold marker
1268-5-X	17 gauge, 20 cm long Pre-waxed needles (1) preloaded with absorbable strand enclosing 1.0 mm OD, 1.5 mm long gold marker
Sterile Radiopaque Marker Strand (2 per pack), 17 gauge, 20 cm Long Needle (1.0 mm OD)	
1448-1-X	17 gauge, 20 cm long Pre-waxed needles (2) preloaded with absorbable strand enclosing 1.0 mm OD, 3 mm long gold marker
1448-2-X	17 gauge, 20 cm long Pre-waxed needles (2) preloaded with absorbable strand enclosing 1.0 mm OD, 5 mm long gold marker
1448-3-X	17 gauge, 20 cm long Pre-waxed needles (2) preloaded with absorbable strand enclosing 1.0 mm OD, 7 mm long gold marker
1448-4-X	17 gauge, 20 cm long Pre-waxed needles (2) preloaded with absorbable strand enclosing 1.0 mm OD, 10 mm long gold marker
1448-5-X	17 gauge, 20 cm long Pre-waxed needles (2) preloaded with absorbable strand enclosing 1.0 mm OD, 1.5 mm long gold marker
Sterile Radiopaque Marker Strand (3 per pack), 17 gauge, 20 cm Long Needle (1.0 mm OD)	
1270-1-X	17 gauge, 20 cm long Pre-waxed needles (3) preloaded with absorbable strand enclosing 1.0 mm OD, 3 mm long gold marker
1270-2-X	17 gauge, 20 cm long Pre-waxed needles (3) preloaded with absorbable strand enclosing 1.0 mm OD, 5 mm long gold marker
1270-3-X	17 gauge, 20 cm long Pre-waxed needles (3) preloaded with absorbable strand enclosing 1.0 mm OD, 7 mm long gold marker
1270-4-X	17 gauge, 20 cm long Pre-waxed needles (3) preloaded with absorbable strand enclosing 1.0 mm OD, 10 mm long gold marker
1270-5-X	17 gauge, 20 cm long Pre-waxed needles (3) preloaded with absorbable strand enclosing 1.0 mm OD, 1.5 mm long gold marker
Sterile Radiopaque Marker Strand (1 per pack), 16 gauge, 20 cm Long Needle (1.2 mm OD)	
1329-1-X	16 gauge, 20 cm long Pre-waxed needles (1) preloaded with absorbable strand enclosing 1.2 mm OD, 3 mm long gold marker

Best Medical International, Inc. 7643 Fullerton Road, Springfield, VA 22153 USA
 phone 703 451 2378 800 336 4970 fax 703 451 5228 www.bestmedical.com



Part Number	Description
1329-2-X	16 gauge, 20 cm long Pre-waxed needles (1) preloaded with absorbable strand enclosing 1.2 mm OD, 5 mm long gold marker
1329-3-X	16 gauge, 20 cm long Pre-waxed needles (1) preloaded with absorbable strand enclosing 1.2 mm OD, 7 mm long gold marker
1329-4-X	16 gauge, 20 cm long Pre-waxed needles (1) preloaded with absorbable strand enclosing 1.2 mm OD, 10 mm long gold marker
1329-5-X	16 gauge, 20 cm long Pre-waxed needles (1) preloaded with absorbable strand enclosing 1.2 mm OD, 1.5 mm long gold marker
	Sterile Radiopaque Marker Strand (2 per pack), 16 gauge, 20cm Long Needle (1.2 mm OD)
1450-1-X	16 gauge, 20 cm long Pre-waxed needles (2) preloaded with absorbable strand enclosing 1.2 mm OD, 3 mm long gold marker
1450-2-X	16 gauge, 20 cm long Pre-waxed needles (2) preloaded with absorbable strand enclosing 1.2 mm OD, 5 mm long gold marker
1450-3-X	16 gauge, 20 cm long Pre-waxed needles (2) preloaded with absorbable strand enclosing 1.2 mm OD, 7 mm long gold marker
1450-4-X	16 gauge, 20 cm long Pre-waxed needles (2) preloaded with absorbable strand enclosing 1.2 mm OD, 10 mm long gold marker
1450-5-X	16 gauge, 20 cm long Pre-waxed needles (2) preloaded with absorbable strand enclosing 1.2 mm OD, 1.5 mm long gold marker
	Sterile Radiopaque Marker Strand (3 per pack), 16 gauge, 20cm Long Needle (1.2 mm OD)
1331-1-X	16 gauge, 20 cm long Pre-waxed needles (3) preloaded with absorbable strand enclosing 1.2mm OD, 3 mm long gold marker
1331-2-X	16 gauge, 20 cm long Pre-waxed needles (3) preloaded with absorbable strand enclosing 1.2 mm OD, 5 mm long gold marker
1331-3-X	16 gauge, 20 cm long Pre-waxed needles (3) preloaded with absorbable strand enclosing 1.2 mm OD, 7 mm long gold marker
1331-4-X	16 gauge, 20 cm long Pre-waxed needles (3) preloaded with absorbable strand enclosing 1.2 mm OD, 10 mm long gold marker
1331-5-X	16 gauge, 20 cm long Pre-waxed needles (3) preloaded with absorbable strand enclosing 1.2 mm OD, 1.5 mm long gold marker
	Sterile Needle w/Best Marker Strand w/Iodine Dummy Seed (1 per pack), 18 gauge, 20 cm Long Needle (0.8 mm OD)
10113-17-X	18 gauge, 20 cm long Pre-waxed needles (1) preloaded with absorbable strand enclosing 0.8 mm OD, 5 mm long iodine dummy seed
	Sterile Needle w/Best Marker Strand w/Iodine Dummy Seed (3 per pack), 18 gauge, 20 cm Long Needle (0.8 mm OD)
10113-19-X	18 gauge, 20 cm long Pre-waxed needles (1) preloaded with absorbable strand enclosing 0.8 mm OD, 5 mm long iodine dummy seed
	Sterile Fiducial Marker Kit With Spacers (1 per pack), 18 gauge, 20 cm Long Needle (0.8 mm OD)
1306-1-X	18 gauge, 20 cm long Pre-waxed needle (1) preloaded with 0.8 OD, 3 mm long gold marker(s) and Spacer(s)

Best Medical International, Inc. 7643 Fullerton Road, Springfield, VA 22153 USA
 phone 703 451 2378 800 336 4970 fax 703 451 5228 www.bestmedical.com



Part Number	Description
1306-2-X	18 gauge, 20 cm long Pre-waxed needle (1) preloaded with 0.8 OD, 5 mm long gold marker(s) and Spacer(s)
1306-3-X	18 gauge, 20 cm long Pre-waxed needle (1) preloaded with 0.8 OD, 7 mm long gold marker(s) and Spacer(s)
1306-4-X	18 gauge, 20 cm long Pre-waxed needle (1) preloaded with 0.8 OD, 10 mm long gold marker(s) and Spacer(s)
Sterile Fiducial Marker Kit With Spacers (2 per pack), 18 gauge, 20 cm Long Needle (0.8 mm OD)	
1452-1-X	18 gauge, 20 cm long Pre-waxed needle (2) preloaded with 0.8 OD, 3 mm long gold marker(s) and Spacer(s)
1452-2-X	18 gauge, 20 cm long Pre-waxed needle (2) preloaded with 0.8 OD, 5 mm long gold marker(s) and Spacer(s)
1452-3-X	18 gauge, 20 cm long Pre-waxed needle (2) preloaded with 0.8 OD, 7 mm long gold marker(s) and Spacer(s)
1452-4-X	18 gauge, 20 cm long Pre-waxed needle (2) preloaded with 0.8 OD, 10 mm long gold marker(s) and Spacer(s)
Sterile Fiducial Marker Kit With Spacers (3 per pack), 18 gauge, 20 cm Long Needle (0.8 mm OD)	
1385-1-X	18 gauge, 20 cm long Pre-waxed needle (3) preloaded with 0.8 OD, 3 mm long gold marker(s) and Spacer(s)
1385-2-X	18 gauge, 20 cm long Pre-waxed needle (3) preloaded with 0.8 OD, 5 mm long gold marker(s) and Spacer(s)
1385-3-X	18 gauge, 20 cm long Pre-waxed needle (3) preloaded with 0.8 OD, 7 mm long gold marker(s) and Spacer(s)
1385-4-X	18 gauge, 20 cm long Pre-waxed needle (3) preloaded with 0.8 OD, 10 mm long gold marker(s) and Spacer(s)
Sterile Fiducial Marker Kit With Spacers (1 per pack), 18 gauge, 20 cm Long Needle (1.0 mm OD)	
1309-1-X	18 gauge, 20 cm long Pre-waxed needle (1) preloaded with 1.0 OD, 3 mm long gold marker(s) and Spacer(s)
1309-2-X	18 gauge, 20 cm long Pre-waxed needle (1) preloaded with 1.0 OD, 5 mm long gold marker(s) and Spacer(s)
1309-3-X	18 gauge, 20 cm long Pre-waxed needle (1) preloaded with 1.0 OD, 7 mm long gold marker(s) and Spacer(s)
1309-4-X	18 gauge, 20 cm long Pre-waxed needle (1) preloaded with 1.0 OD, 10 mm long gold marker(s) and Spacer(s)
Sterile Fiducial Marker Kit With Spacers (2 per pack), 18 gauge, 20 cm Long Needle (1.0 mm OD)	
1454-1-X	18 gauge, 20 cm long Pre-waxed needle (2) preloaded with 1.0 OD, 3 mm long gold marker(s) and Spacer(s)
1454-2-X	18 gauge, 20 cm long Pre-waxed needle (2) preloaded with 1.0 OD, 5 mm long gold marker(s) and Spacer(s)
1454-3-X	18 gauge, 20 cm long Pre-waxed needle (2) preloaded with 1.0 OD, 7 mm long gold marker(s) and Spacer(s)

Best Medical International, Inc. 7643 Fullerton Road, Springfield, VA 22153 USA
 phone 703 451 2378 800 336 4970 fax 703 451 5228 www.bestmedical.com

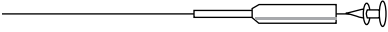
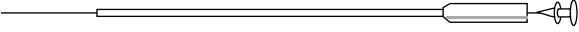

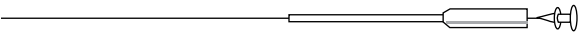

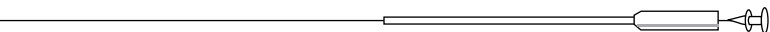
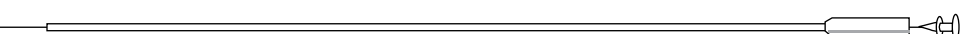





Part Number	Description
1454-4-X	18 gauge, 20 cm long Pre-waxed needle (2) preloaded with 1.0 OD, 10 mm long gold marker(s) and Spacer(s)
	Sterile Fiducial Marker Kit With Spacers (3 per pack), 18 gauge, 20 cm Long Needle (1.0 mm OD)
1387-1-X	18 gauge, 20 cm long Pre-waxed needle (3) preloaded with 1.0 OD, 3 mm long gold marker(s) and Spacer(s)
1387-2-X	18 gauge, 20 cm long Pre-waxed needle (3) preloaded with 1.0 OD, 5 mm long gold marker(s) and Spacer(s)
1387-3-X	18 gauge, 20 cm long Pre-waxed needle (3) preloaded with 1.0 OD, 7 mm long gold marker(s) and Spacer(s)
1387-4-X	18 gauge, 20 cm long Pre-waxed needle (3) preloaded with 1.0 OD, 10 mm long gold marker(s) and Spacer(s)
	Sterile Fiducial Marker Kit With Spacers (1 per pack), 17 gauge, 20 cm Long Needle (1.2 mm OD)
1312-1-X	17 gauge, 20 cm long Pre-waxed needle (1) preloaded with 1.2 OD, 3 mm long gold marker(s) and Spacer(s)
1312-2-X	17 gauge, 20 cm long Pre-waxed needle (1) preloaded with 1.2 OD, 5 mm long gold marker(s) and Spacer(s)
1312-3-X	17 gauge, 20 cm long Pre-waxed needle (1) preloaded with 1.2 OD, 7 mm long gold marker(s) and Spacer(s)
1312-4-X	17 gauge, 20 cm long Pre-waxed needle (1) preloaded with 1.2 OD, 10 mm long gold marker(s) and Spacer(s)
	Sterile Fiducial Marker Kit With Spacers (2 per pack), 17 gauge, 20 cm Long Needle (1.2 mm OD)
1456-1-X	17 gauge, 20 cm long Pre-waxed needle (2) preloaded with 1.2 OD, 3 mm long gold marker(s) and Spacer(s)
1456-2-X	17 gauge, 20 cm long Pre-waxed needle (2) preloaded with 1.2 OD, 5 mm long gold marker(s) and Spacer(s)
1456-3-X	17 gauge, 20 cm long Pre-waxed needle (2) preloaded with 1.2 OD, 7 mm long gold marker(s) and Spacer(s)
1456-4-X	17 gauge, 20 cm long Pre-waxed needle (2) preloaded with 1.2 OD, 10 mm long gold marker(s) and Spacer(s)
	Sterile Fiducial Marker Kit With Spacers (3 per pack), 17 gauge, 20 cm Long Needle (1.2 mm OD)
1389-1-X	17 gauge, 20 cm long Pre-waxed needle (3) preloaded with 1.2 OD, 3 mm long gold marker(s) and Spacer(s)
1389-2-X	17 gauge, 20 cm long Pre-waxed needle (3) preloaded with 1.2 OD, 5 mm long gold marker(s) and Spacer(s)
1389-3-X	17 gauge, 20 cm long Pre-waxed needle (3) preloaded with 1.2 OD, 7 mm long gold marker(s) and Spacer(s)
1389-4-X	17 gauge, 20 cm long Pre-waxed needle (3) preloaded with 1.2 OD, 10 mm long gold marker(s) and Spacer(s)

Best Medical International, Inc. 7643 Fullerton Road, Springfield, VA 22153 USA
 phone 703 451 2378 800 336 4970 fax 703 451 5228 www.bestmedical.com



Needle Implanters

Four inch implanter	—	2 inch point.....	Part # 1074-0016	
Six inch implanter	—	1 inch point.....	Part # 1074-0017	
Six inch implanter	—	2 inch point.....	Part # 1074-0019	
Six inch implanter	—	4 inch point.....	Part # 1074-0020	
Eight inch implanter	—	2 inch point.....	Part # 1074-0022	
Eight inch implanter	—	4 inch point.....	Part # 1074-0023	
Ten inch implanter	—	1 cm point.....	Part # 1074-0031	
Ten inch implanter	—	2 inch point.....	Part # 1074-0024	
Ten inch implanter	—	6 inch point.....	Part # 1074-0025	
Ten inch implanter	—	8 inch point.....	Part # 1074-0026	

*** Other implanters also available**



CAUTION: This product should be carefully inspected by your staff prior to clinical use and should be used by authorized personnel only.

Best Medical International, Inc. 7643 Fullerton Road, Springfield, VA 22153 USA
 phone 703 451 2378 800 336 4970 fax 703 451 5228 www.bestmedical.com



Mick® 200-TPV Applicator Kit

Catalog # 5005-9707



Set includes:	Catalog #
1 ea. Mick 200-TPV Applicator (Instrument only)	5005-9701-1
10 ea. Seed Magazines-Reusable	5005-7609
10 ea. Seed Magazines-Disposable	5005-7609-D
1 ea. 8x Mick TP Needles, 17 or 18 Gauge "Authentic" (Carton)	5005-MTP-17/1820-C
1 ea. Diddler (Needle Adjustment Tool)	5005-8816
1 ea. Seed Loading V-Block with Seed Gauge	5005-7509
1 ea. Seed Sterilizer with Insert (10 Magazine Capacity)	5005-7901
1 ea. Pushwire Rod Assembly (Spare)	5005-9707-PRA
1 ea. Practice Phantom with 100 Dummy Seeds	5005-8113-PIP
2 ea. Reverse Action Tweezer	5005-7613
1 ea. Loop Wire, 22 cm (Needle Cleaning Device)	5005-7702
1 ea. Stainless Steel Ruler, 15 cm	5005-7610
1 ea. Stainless Steel Screwdriver/Allen Wrench Combo	5005-7311-C
1 ea. Stainless Steel Sterilization Tray with Instrument Holder	5005-7308-STI
4 ea. E-Rings (Replacement Clips for Cartridges)	5005-7809-E
1 ea. Wooden Carrying Case	5005-7611
1 ea. Instruction Manual	

Steerable "Authentic" Mick TP Needles!

Circumvent pubic arch interference with the use of the Mick Needle Former.

Ordering Information: Optional Instrumentation and Accessories

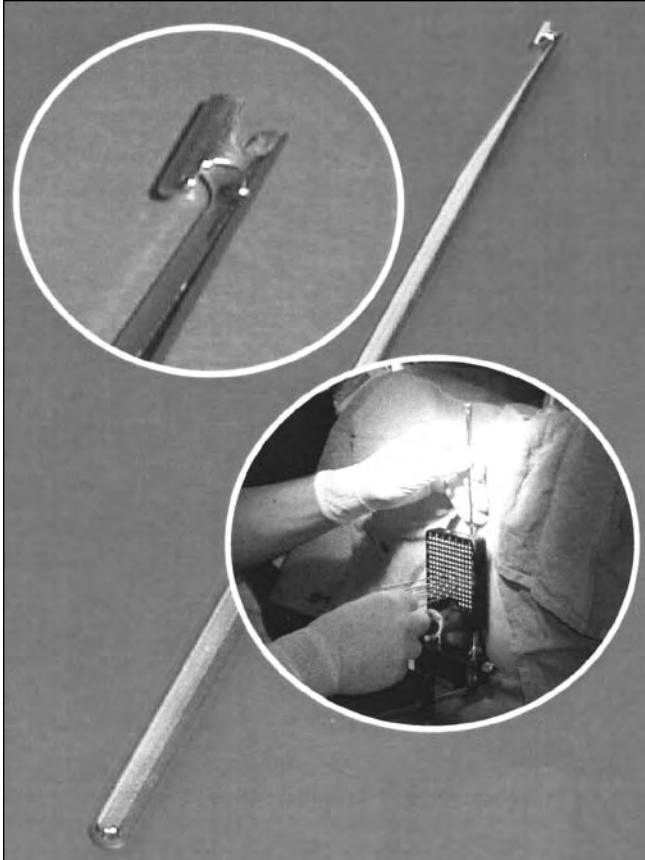
Product:	Catalog #	Product:	Catalog #
Reverse Action Tweezer	5005-7613	Prostate Phantom, CIRS	5005-9603-53
Diddler (Needle Adjustment Tool)	5005-8816	Mick Magazine, Reusable (10 Seed Capacity)	5005-7609
Transperineal Template-Transparent, 17 Gauge	5005-8813-17	Mick Magazine, Disposable (15 Seed Capacity)	5005-7609-OS
Transperineal Template-Transparent, 18 Gauge	5005-8813-18	Mick TP Needle, 18 Gauge "Authentic"	5005-MTP-1320C
Mick Needle Former (Steerable Mick Needles)	5005-9910	Mick TP Needle, 17 Gauge "Authentic"	5005-MTP-1720C
V-Block (Cartridge Seed-Loading Device)	5005-7509	Pushwire Rod Assembly (Mick 200-TPV Applicator)	5005-9707-PRA
Stainless Steel Sterilization Tray with Instrument Holder	5005-7308-STI	Stainless Steel Allen Wrench/Screwdriver (Combination)	5005-7311-C
Wooden Carrying Case	5005-7611	Brachystand 6 Ultra for Use with E&K or Siemens Stepper	5005-1000
Morgenstern, Stabilizing Needle, 18 Gauge	5005-500118200	Sure-Point I (Floor Mount with Siemens Stepper)	5005-FMS
Practice Phantom with 100 Dummy Seeds	5005-8113-PIP	Sure-Point II (table Mount with Siemens Stepper)	5005-UTMS
KGM Passer (Radiation Shielding Device)	5005-9512	Disposable Templates, B&K	5005-2400
Inspector (Radiation Survey Meter)	5005-963ERAD	Loaded Gloves-Radiation Attenuation Gloves	5005-5327005
Springs (for Magazines)	5005-9609-SP	Ultrasonic Cleaner with Timer and Heater	5005-7908-10TH
E-Rings (for Magazines)	5005-9609-E	Stainless Steel Dummy Seeds	5005-8212-DS

Best Medical International, Inc. 7643 Fullerton Road, Springfield, VA 22153 USA
 phone 703 451 2378 800 336 4970 fax 703 451 5228 www.bestmedical.com



Diddler–Needle Adjustment Tool

Catalog # 5005-8816



Use the DIDDLER, Not Your Fingers!

The DIDDLER is a device to adjust the position of trans-perineal prostate seeding needles during the time of seed implantation. Often, fingers are needed to reach behind the transperineal template to readjust the needle position. The DIDDLER replaces the need to use fingers which, in most cases, are too big to reach a needle between the template and perineum.

The DIDDLER, similar in construction to a crochet needle, is made entirely of stainless steel and consists of a long hexagonally shaped handle with a slender tip. The tip thus allows a needle to be pushed, pulled or twisted left and right even if there is a needle right next to it.

Adjust the needle up, down and sideways without using your fingers!

Radiation Protection

The DIDDLER is especially effective when needle repositioning with "HOT" Pre-loaded Prostate Seeding Needles is required. Notably, the DIDDLER is most useful in the Mick technique when numerous needles are implanted either peripherally, in rows, or all at once.

The DIDDLER is approximately 8" (20cm) long and made entirely of stainless steel. A high-polish finish provides for easy cleaning and flash sterilization.

The DIDDLER can be AUTOCLAVED!

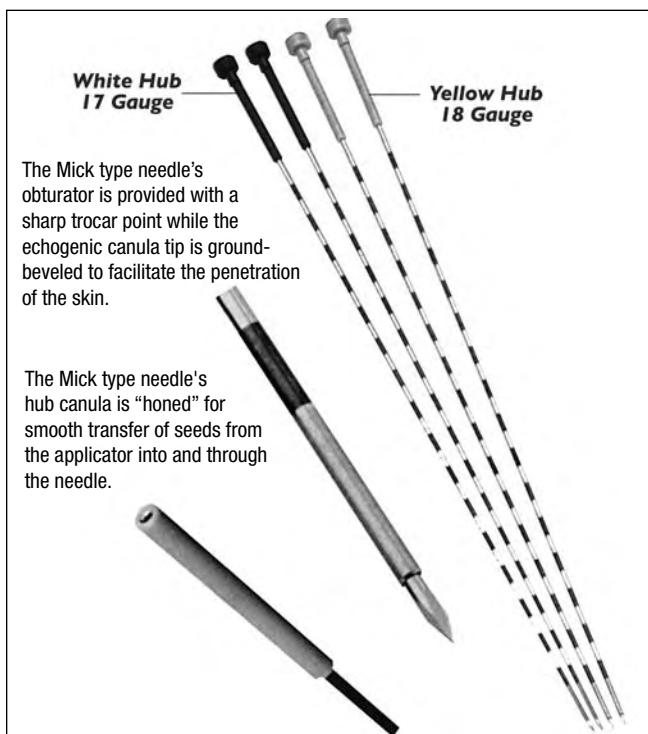
Specifications:

Material:Stainless Steel
Length:8" (20 cm) (approximately)
Size:(6.4 mm diameter)
Hexagonal Stock

Best Medical International, Inc. 7643 Fullerton Road, Springfield, VA 22153 USA
phone 703 451 2378 800 336 4970 fax 703 451 5228 www.bestmedical.com


healthcare for everyone

Needles



The Mick type needle's obturator is provided with a sharp trocar point while the echogenic canula tip is ground-beveled to facilitate the penetration of the skin.

The Mick type needle's hub canula is "honed" for smooth transfer of seeds from the applicator into and through the needle.



Catalog # 10203: 17 Gauge White Hub
Catalog # 10209: 18 Gauge Yellow Hub

(1) Catalog # 10215 Best C.P Type Round Hub Needles
(2) Catalog # 10201 Best C.P Type Square Hub Needles
(3) Catalog # 10197 Best Square Hub Needles
(4) Catalog # 10199 Best Round Hub Needles

Best Mick Type Needles

- Sterile/Disposable
- Siliconized/Calibrated
- Improved Sharpness
- Trocar Point
- Rigid Stylet
- Mirror Finish Stylet
- Flared Canula Hub
- Color Coded Hubs
- Available 17 and 18 Gauge
- Echogenic Bevel

Packaged, Sterile and Disposable

- 25 Needles per Carton
- 5 Pouches w/1 Needle
- 4 Pouches w/5 Needles

Specifications (For Single Use Only)

Best Prostate Seeding Needles

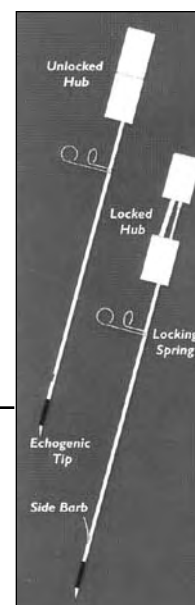
- Sterile/Disposable
- Echogenic Bevel
- Calibrated Stylet
- Bevel Point
- Low Price
- Siliconized
- Improved Sharpness
- Available 17 and 18 Gauge

Packaged, Sterile and Disposable

- 25 Needles per Carton
- 5 Pouches w/1 Needle
- 4 Pouches w/5 Needles Each

Specifications (For Single Use Only)

"A" and "B" bevel needles are available



Catalog # 10207

Prostate Stabilization Set

Improved Seed Distribution by Means of Prostate Gland Immobilization

The Stabilizing Needle (patented) is designed to prevent prostate movement during the insertion of prostate seeding needles. Immobilization is accomplished by deployment of a "side barb" in the prostate tissue and then securing a "lock spring" against the proximal side of the template. Two stabilizing needles must be used to adequately stabilize the prostate gland.

Features:

- Two-part hub design
- Locking Side Barb
- Sharp Bevel-Point Needle Tip
- Echogenic Tip

Packaged: 18 gauge x 20 cm Sterile; Box of 10 Sets; 2 Needles per Set

Best Medical International, Inc. 7643 Fullerton Road, Springfield, VA 22153 USA
 phone 703 451 2378 800 336 4970 fax 703 451 5228 www.bestmedical.com



Best Medical International, Inc. as author/distributor, believes the technical information and statements contained in this catalog to be reliable and correct at the time of publication. However, Best Medical International, Inc., does not assume any liability for statements, information or recommendations based on or made in reliance on the information contained in this publication.

Data provided herein are for informational purposes only and are not intended for clinical use of any nature. Use of these data in such a manner is the sole responsibility of the user, and the author/distributor of the information makes no claim or inference as to its clinical suitability and/or accuracy. Best Medical International, Inc. assumes no warranty or liability for use of this information or products. Designs and specifications are subject to modification and/or change(s).



© 2008 Best Medical International, Inc.

Terms and Conditions

Ordering: Orders may be placed with a purchase order number and transmitted by FAX, phone or e-mail.

Payment: Within 30 days.

Freight: FOB origin, freight prepaid and charged back through invoice.

Returns: Unused accessories may be returned to Best Medical International, Inc. within 15 days if found unsuitable for a particular application. No return or authorization number is necessary. A note stating the reason for return, name and address of hospital will expedite processing any credit.

Note: Best Medical International, Inc. assumes no liability for consequential damages of any kind for the material when used interchangeably with products of other manufacturers/suppliers or for any direct or indirect results and consequences of its use or misuse by the customer.

Best Medical International, Inc., reserves the right to modify the dimensions of accessories/components as well as the prices.



Best Medical International, Inc. 7643 Fullerton Road, Springfield, VA 22153 USA
phone 703 451 2378 800 336 4970 fax 703 451 5228 www.bestmedical.com


Best[®]
healthcare for everyone

CATALOG

Index

APPLICATORS

Burnett Afterload Vaginal Applicator	38
Delclos Mini-Ovoid Applicator Set with Bracket Assembly	37
Delclos Uterine/Vaginal Afterloading Applicator and Dome Assembly.....	39
Esophageal Applicator (Single Tube).....	11
Fletcher-Suit-Delclos Mini-Ovoid Applicator Set.....	36
Round Handle Fletcher-Suit-Delclos Applicator Set.....	34
Round Handle Fletcher-Suit-Delclos Applicator Set with Bracket.....	35

BUTTONS

Buttons.....	8
--------------	---

CATHETERS

Brachytherapy Kit	5
Brachytherapy Kit, Sterile.....	6
Bronchial Tube.....	10
Nylon Afterloading Tubes.....	7

MARKERS

Adjustable Marker Kit.....	42
Anderson Marker Kit.....	42
Marker Kit.....	43
Rectal Marker Kit with Anus Marker	41
Sterile Gold Marker Kits and Radiopaque Strands.....	44

NEEDLES

Curved Needles	12
Flexi-Needles.....	27
Flexi-Needle Combinations	28
Implant Needles.....	9
Needles	58
Sterile Flexi-Needles.....	31
Template Needles	26
Template Needles with Funnel and Cap.....	25

SEEDS

Iodine-125 and Palladium-103 Seeds	2
Sterile Seed Products.....	3

TEMPLATES

Disposable GYN Template and Kit.....	21
Disposable Prostate Template with Needle Hole	22
Disposable Prostate Template with Small Hole.....	23
Disposable Rectal Templates.....	24
Syed/Neblett GYN Template 1 and Kit.....	16
Syed/Neblett GYN Template 2 and Kit.....	17
Syed/Neblett GYN Template 3 and Kit.....	18
Syed/Neblett Prostate Template and Kit.....	19
Syed/Neblett Rectal Template and Kit.....	20
Syed/Neblett Urethral Template and Kit	21

Best Medical International, Inc. 7643 Fullerton Road, Springfield, VA 22153 USA
phone 703 451 2378 800 336 4970 fax 703 451 5228 www.bestmedical.com



Welcome to Our World

- Arplay Medical
- Best Cyclotron Systems
- Best Medical Africa
- Best Medical Asia
- Best Medical Canada
- Best Medical China
- Best Medical Engineering
- Best Medical Europe
- Best Medical International
- Best Medical Latin America
- Best Medical Middle East
- Best Medical Parts
- Best Medical Research
- Best Medical Russia
- Best Particle Therapy
- Best Theratronics
- Best Vascular (Novoste)
- CNMC Company
- Genetherapy Pharmaceuticals, Inc.
- Huestis Diagnostics
- Huestis Medical
- NOMOS
- and more...

Team Best™

Ready to serve globally for all your needs

Best Medical International, Inc.